

### Rocker Switch Description 船形开关型号说明

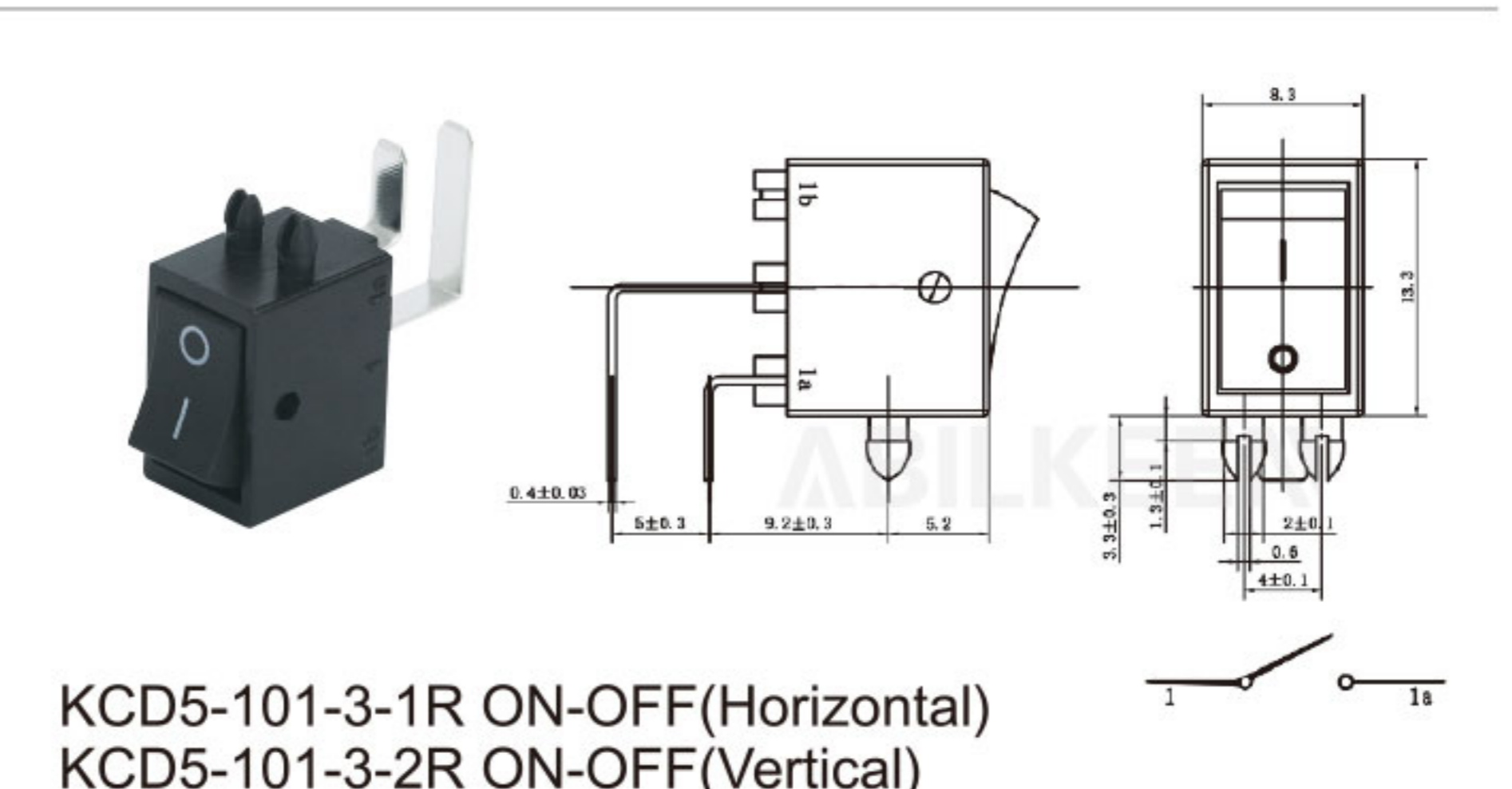
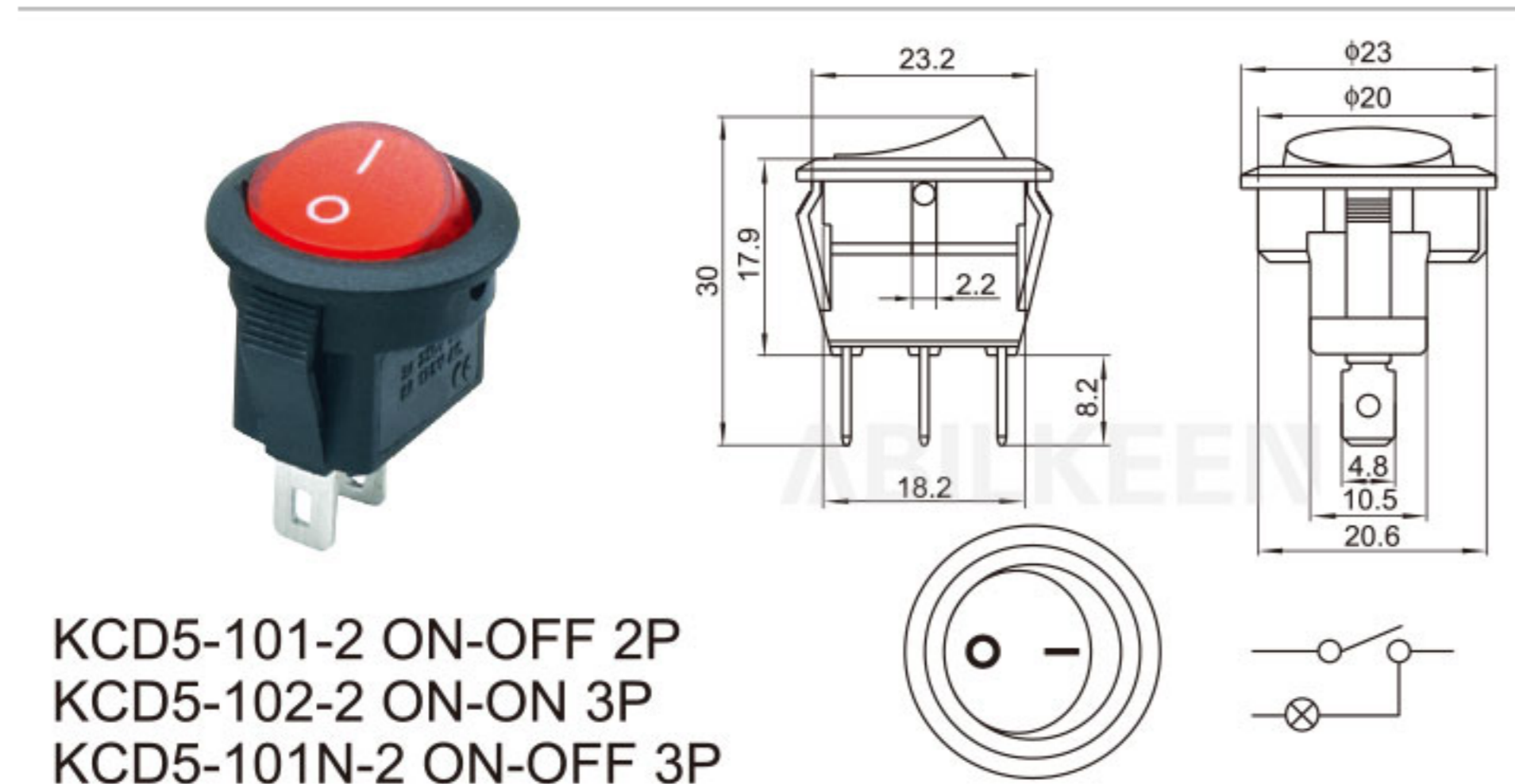
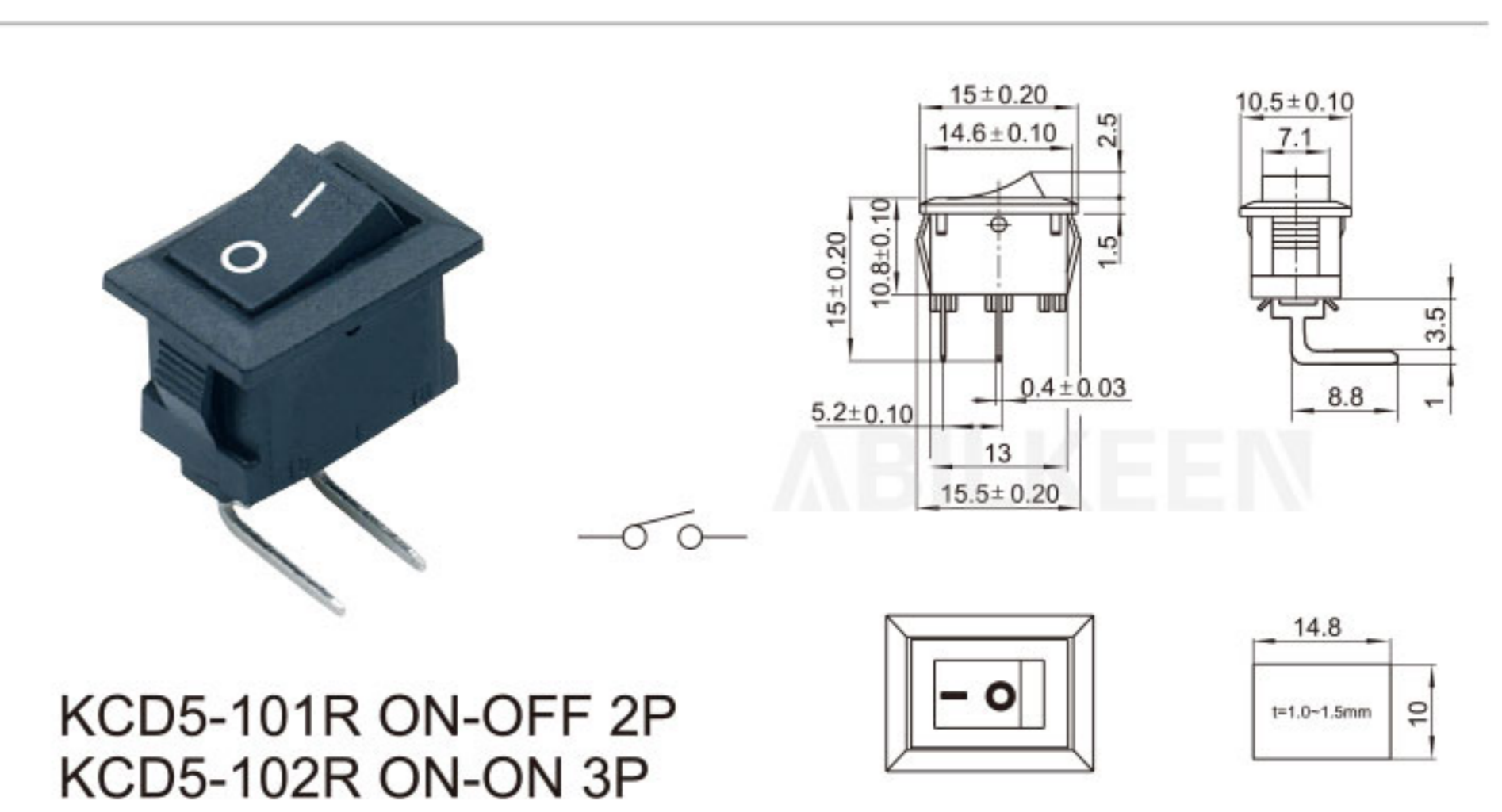
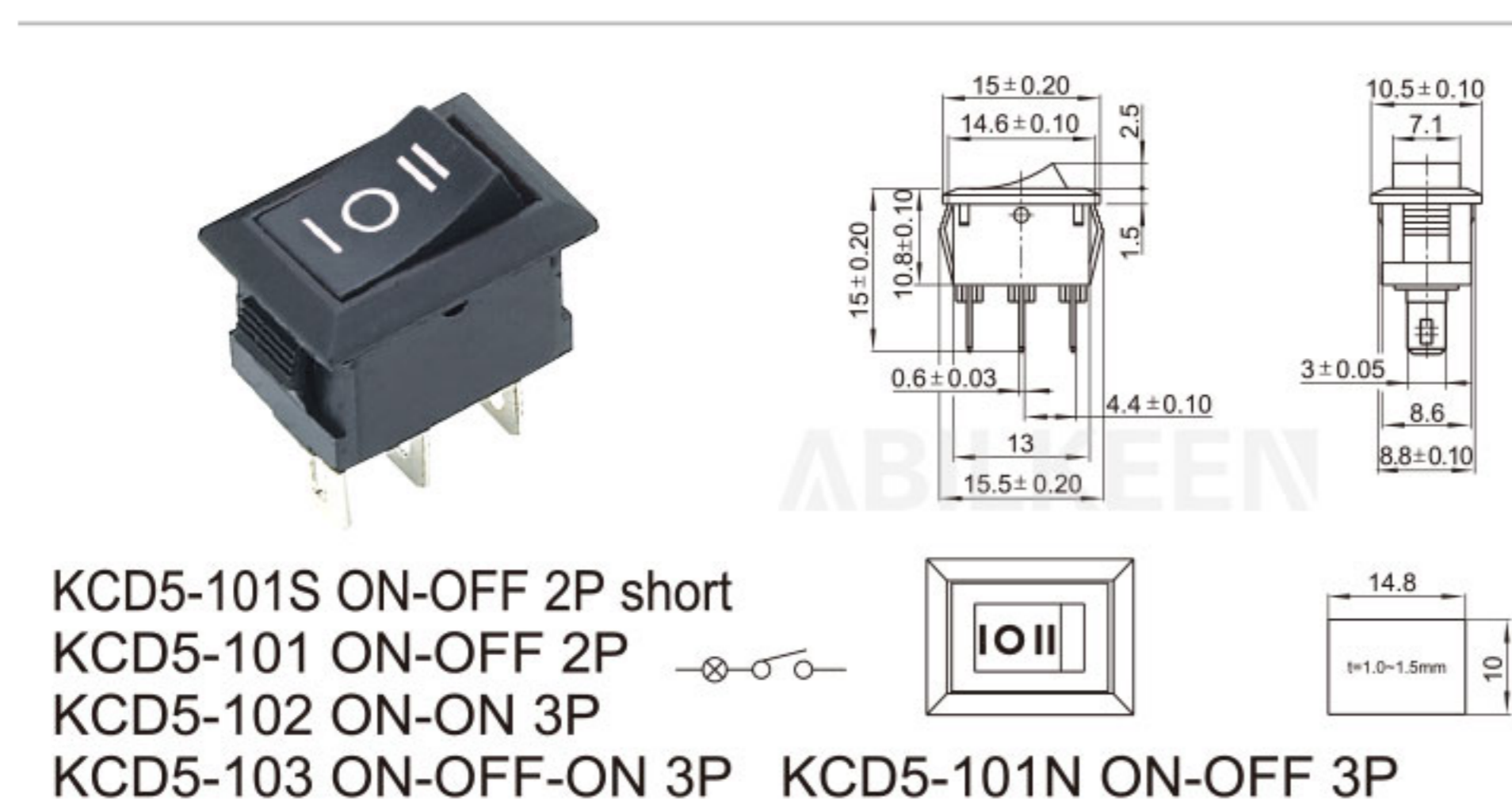
For example: KCD5-201NWR-2-C3B-R220V

KCD	5	-	2	01	N	W	R	-	2	-	C3	B	-	R	220V
Aibeiken Code	Size 尺寸	Poles 刀数	Function 功能	Lamp 带灯状态	Actuator 按钮类型	Terminals 端子类型	Series 系列号	Marking 标记	Housing Color 外壳颜色	Actuator Color 按钮颜色	Lamp Volt 灯电压				
	1: Miniature	1:	01: ON-OFF	No mark: No lamp	No mark: C shape	No mark: Straight	1	C1	<b>A</b> Black	<b>A</b> Black	3V				
	2: Medium	1 Pole 1 button	02: ON-ON	N: Lens illuminated	W: Waterproof	S: Short	2	C2	<b>W</b> White	<b>W</b> White	6V				
	2 ples	2:	03: ON-OFF-ON	EN: Dot illuminated	H: High actuator	R: Right angle	3	C3	<b>R</b> Red	<b>R</b> Red	12V				
	3: Medium	2 Pole 1 button	11: (ON)-OFF(单复位)		V: V shape	J: Screw	4	C4	<b>G</b> Green	<b>G</b> Green	24V				
	1 ploes	22:	12: (ON)-ON(单复位)		G: Super big	T: Through hole	5	C5	<b>Y</b> Yellow	<b>Y</b> Yellow	48V				
	5: Sub-miniature	2 Pole 2 button	13: (ON)-OFF-ON(单复位)			X: Wire lead		C6	<b>B</b> Blue	<b>B</b> Blue	110V				
		3:	23: (ON)-OFF-(ON)(双复位)					C7	<b>O</b> Orange	<b>O</b> Orange	220V				
		3 Pole 1 button						C8	<b>H</b> Gray	<b>H</b> Gray					
		33:						C9	<b>C</b> Coffee	<b>C</b> Coffee					
		3 Pole 3 button						C10	<b>P</b> Purple	<b>P</b> Purple					
								CX Other							

### Specifications For KCD5 Series

Project 项目	Parameter 参数
规格 Rating	6A 125VAC; 3A 250VAC
接触电阻 Contact Resistance	≤ 35mΩ
绝缘电阻 Insulation Resistance	≥ 500VDC 100MΩ

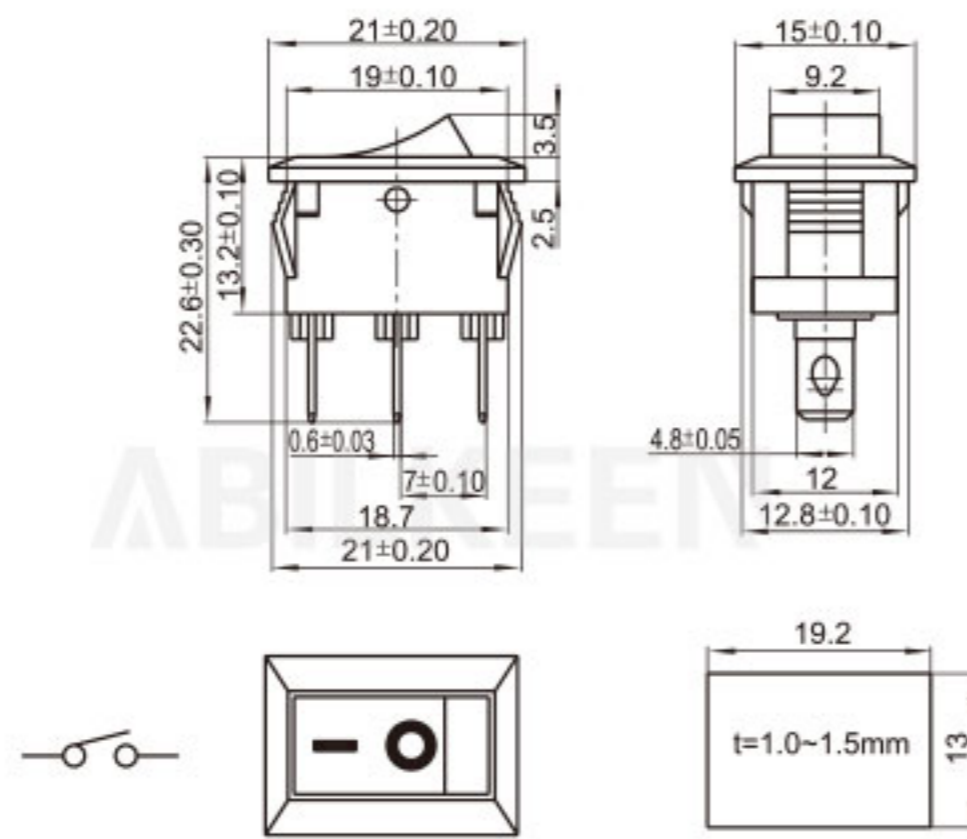
Project 项目	Parameter 参数
耐电压 Withstand Voltage	1500VAC, 1 min
操作温度 Operating Temperature	-25℃ ~ +85℃
电气寿命 Electric Life	≥ 10,000 Cycles



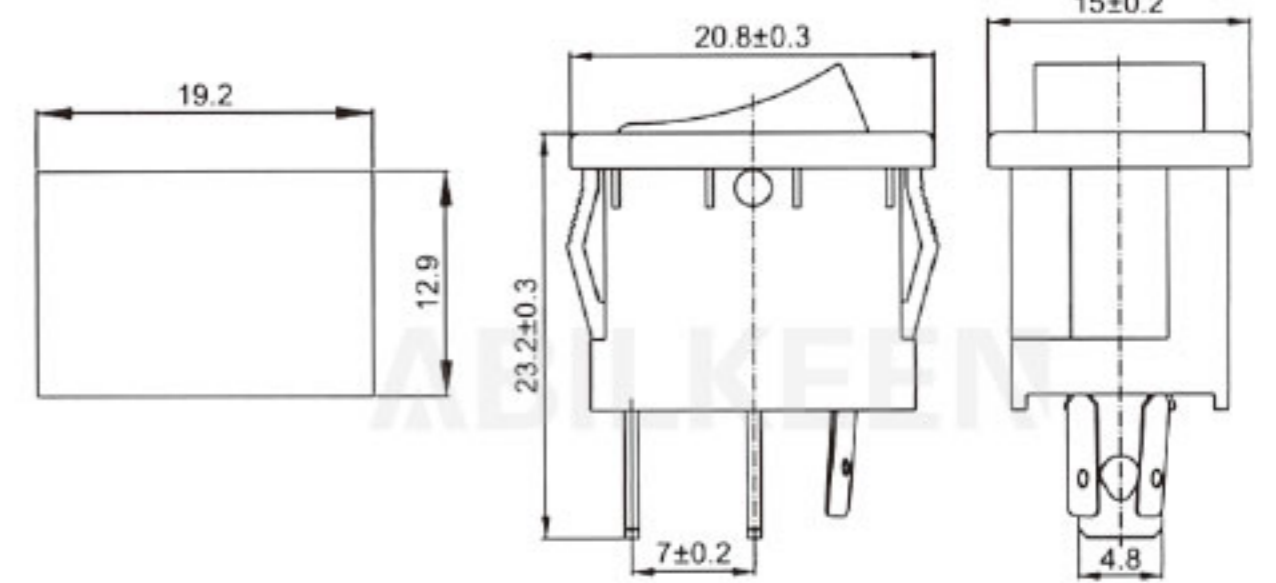
### Specifications For KCD1 Series

Project 项目	Parameter 参数
规格 Rating	10A 125VAC; 6A 250VAC
接触电阻 Contact Resistance	≤ 35mΩ
绝缘电阻 Insulation Resistance	≥ 500VDC 100MΩ

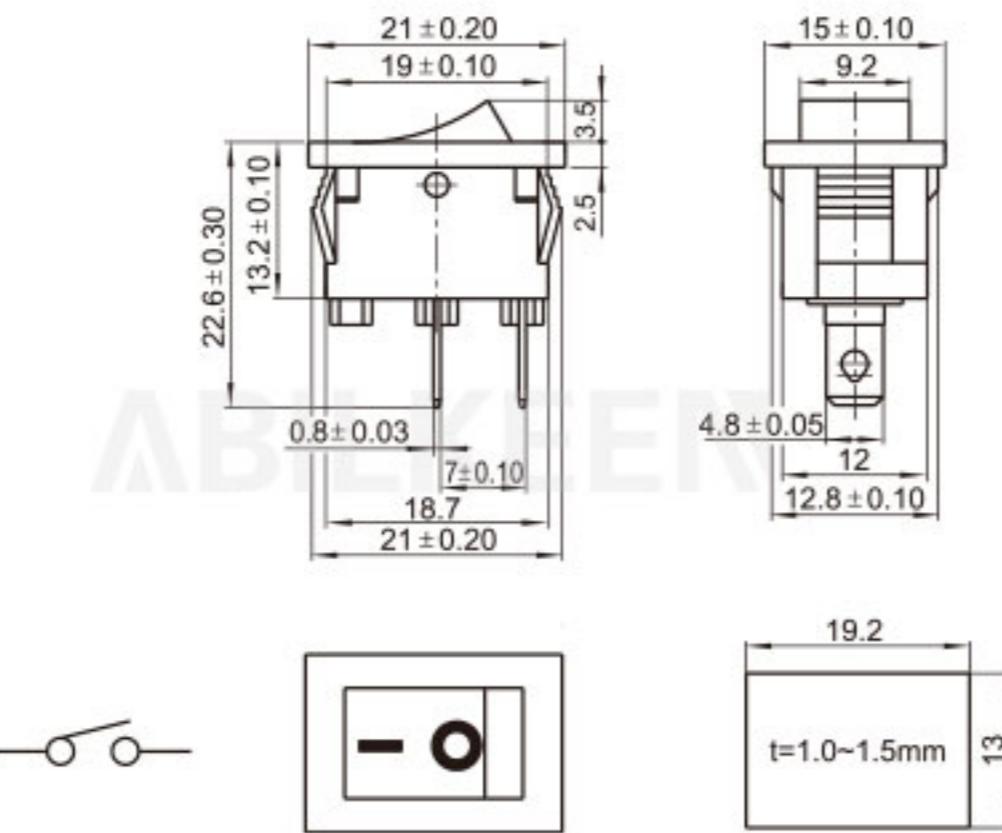
Project 项目	Parameter 参数
耐电压 Withstand Voltage	1500VAC, 1 min
操作温度 Operating Temperature	-25℃ ~ +85℃
电气寿命 Electric Life	≥ 10,000 Cycles



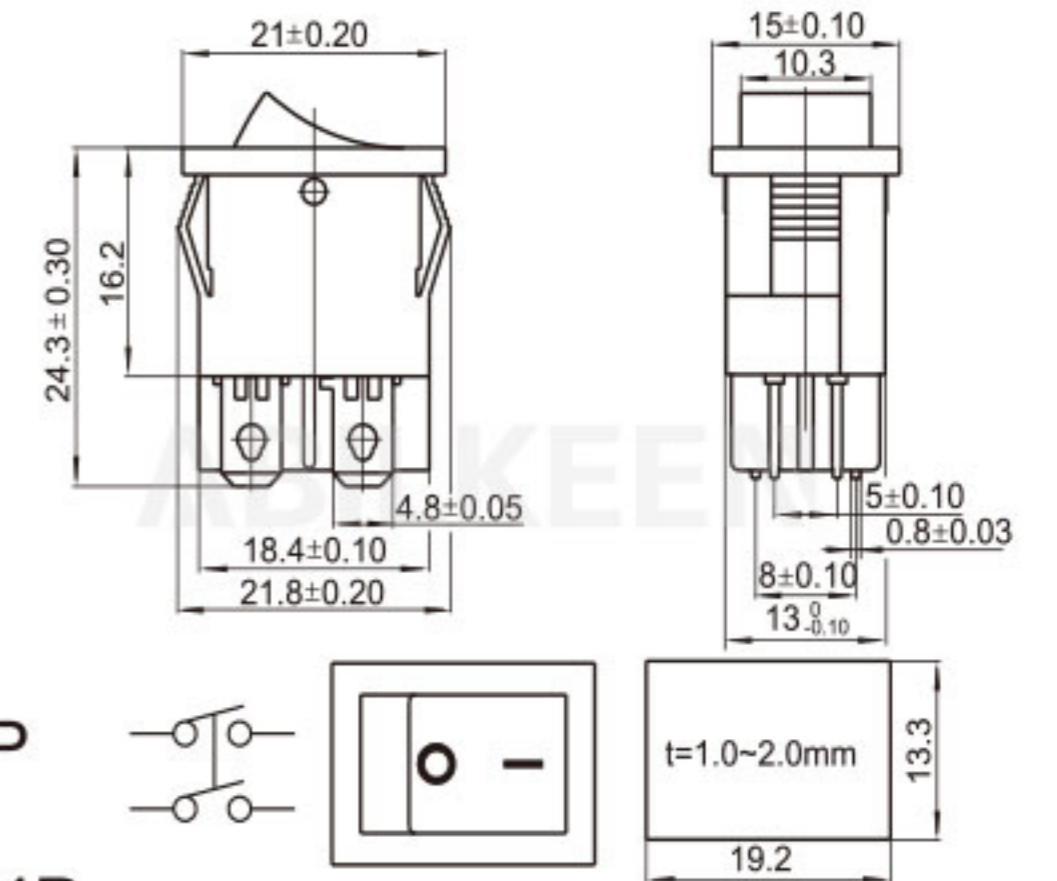
KCD1-101 ON-OFF 2P  
KCD1-102 ON-ON 3P



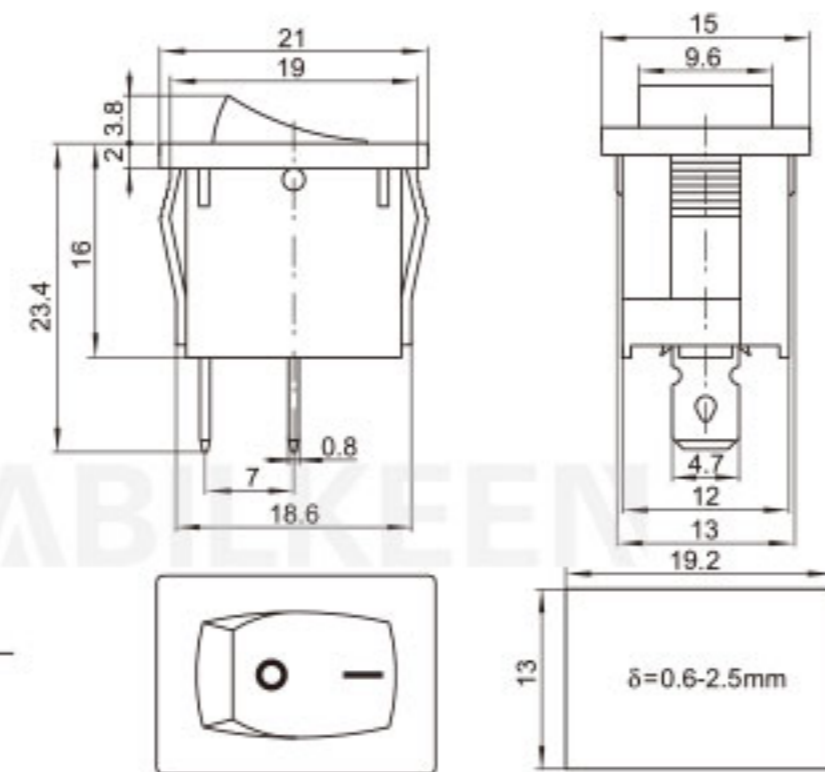
KCD1-101EN-3 ON-OFF(3V LED) 3P



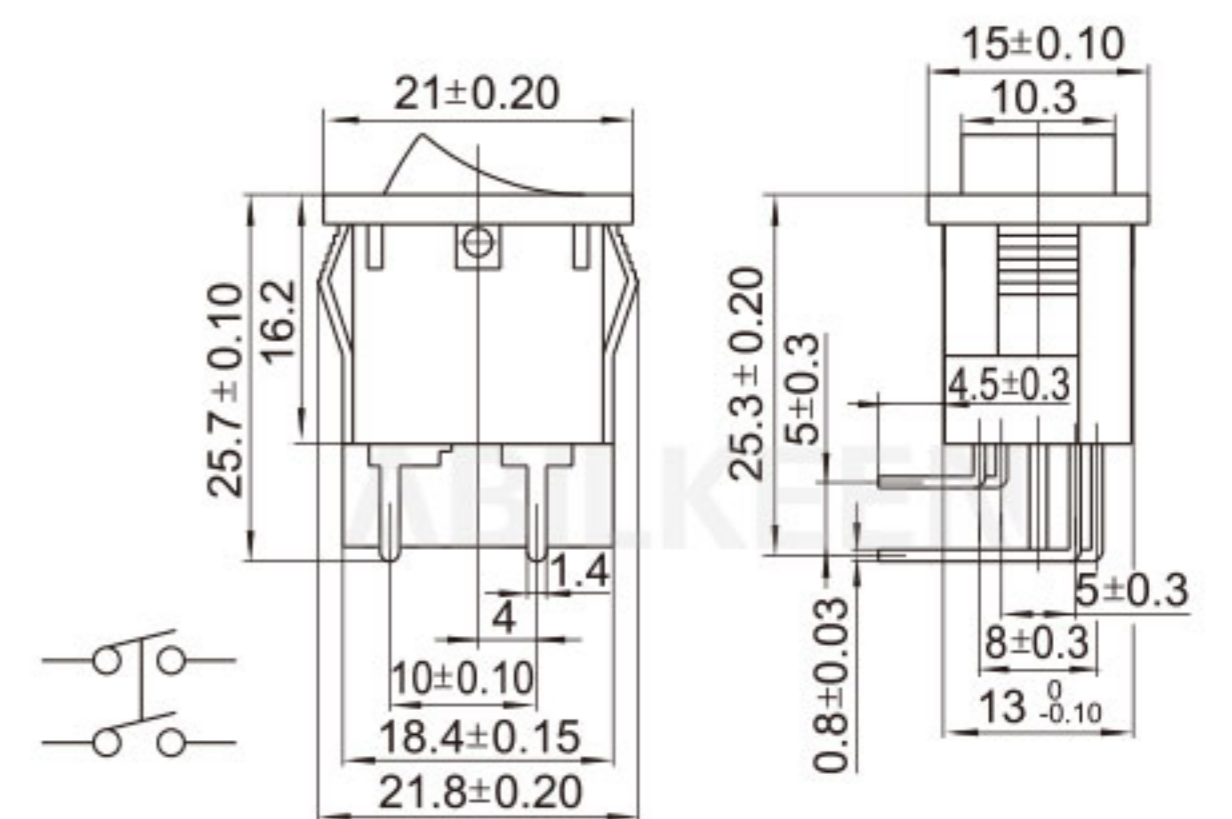
KCD1-101-1 ON-OFF 2P  
KCD1-102-1 ON-ON 3P



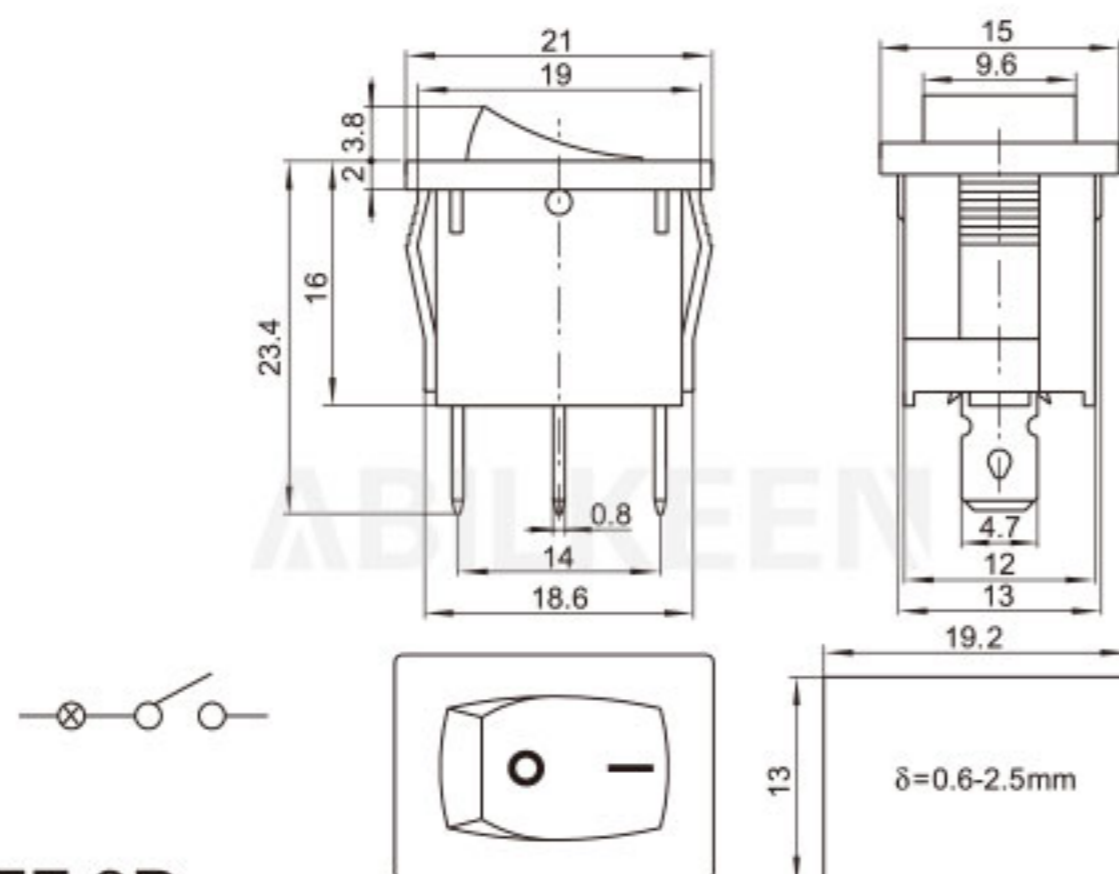
KCD1-201-4 ON-OFF 4P  
KCD1-202-4 ON-ON 4P  
KCD1-201N-4 ON-OFF 4P



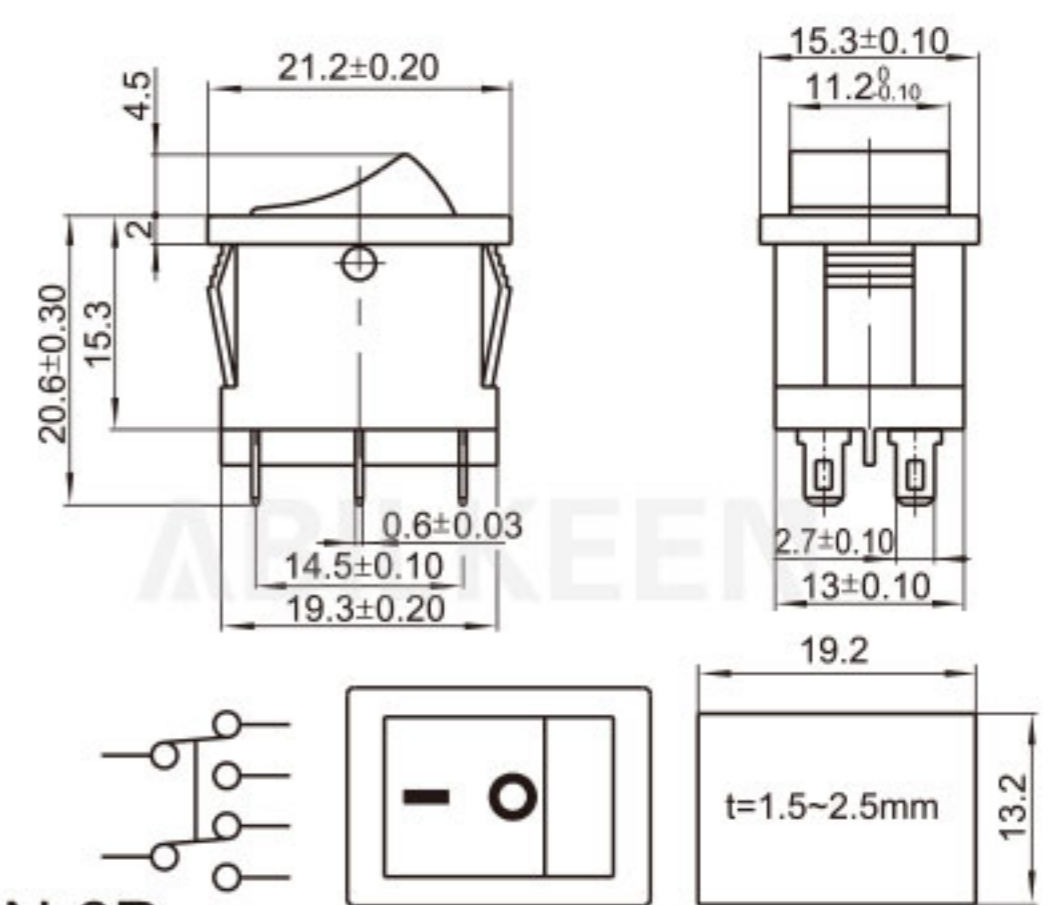
KCD1-101-2 ON-OFF 2P  
KCD1-102-2 ON-ON 3P  
KCD1-111-2 (ON)-OFF 2P  
KCD1-103-2 ON-OFF-ON 3P  
KCD1-123-2 (ON)-OFF-(ON) 3P KCD1-113-2 ON-OFF-(ON)



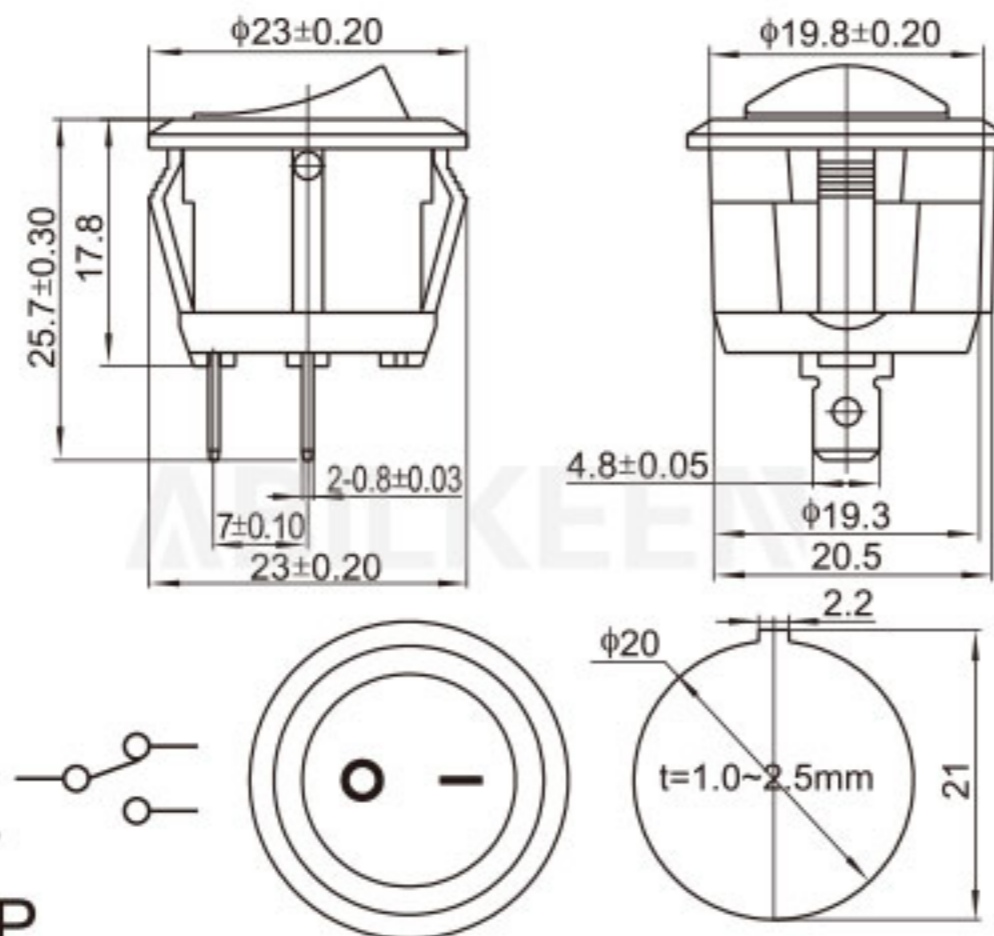
KCD1-201R-4 ON-OFF 4P



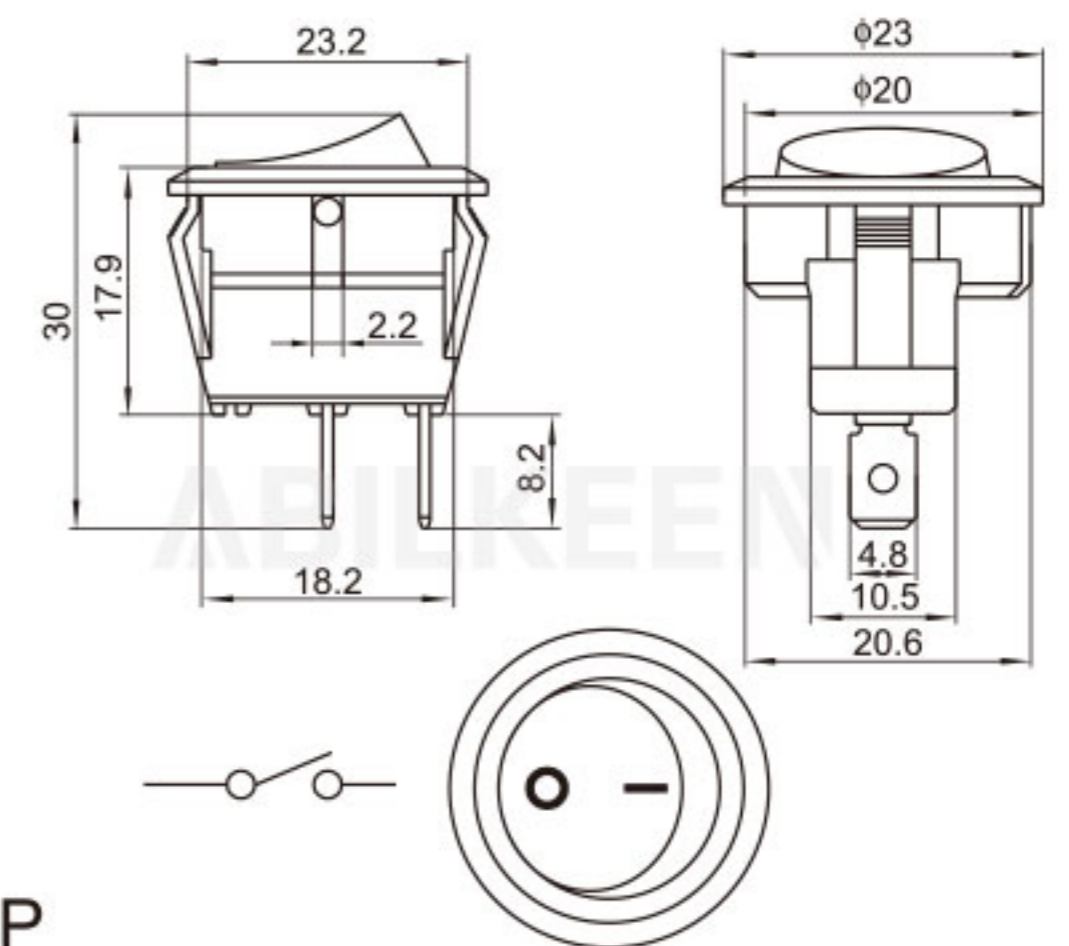
KCD1-101N-2 ON-OFF 3P



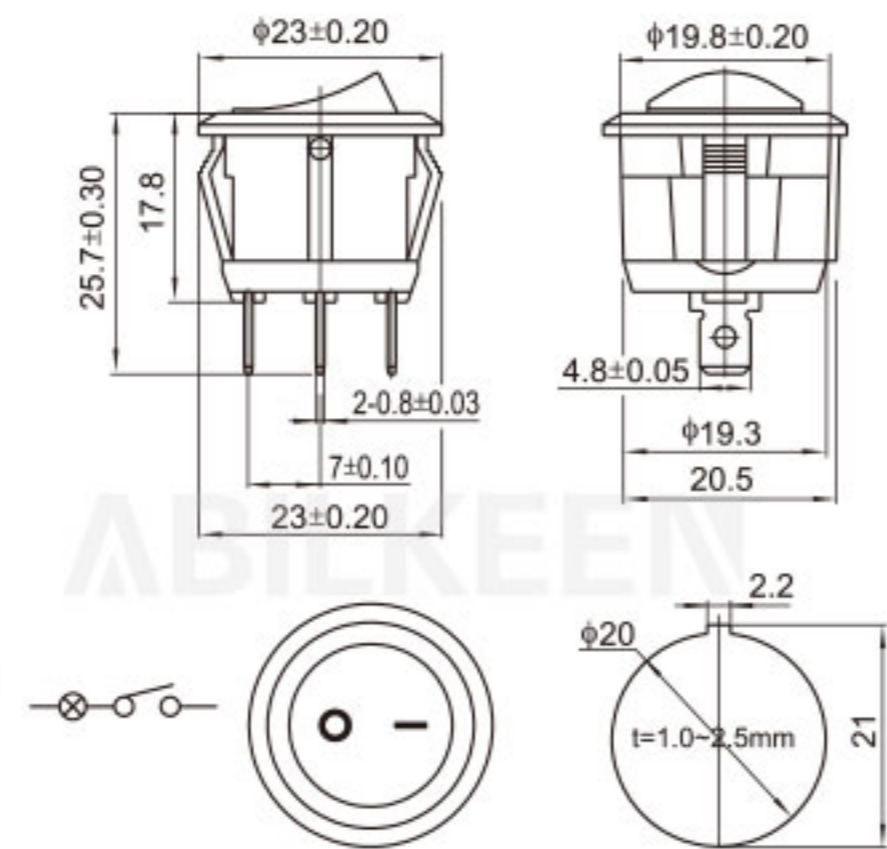
KCD1-202-1 ON-ON 6P  
KCD1-203-1 ON-OFF-ON 6P



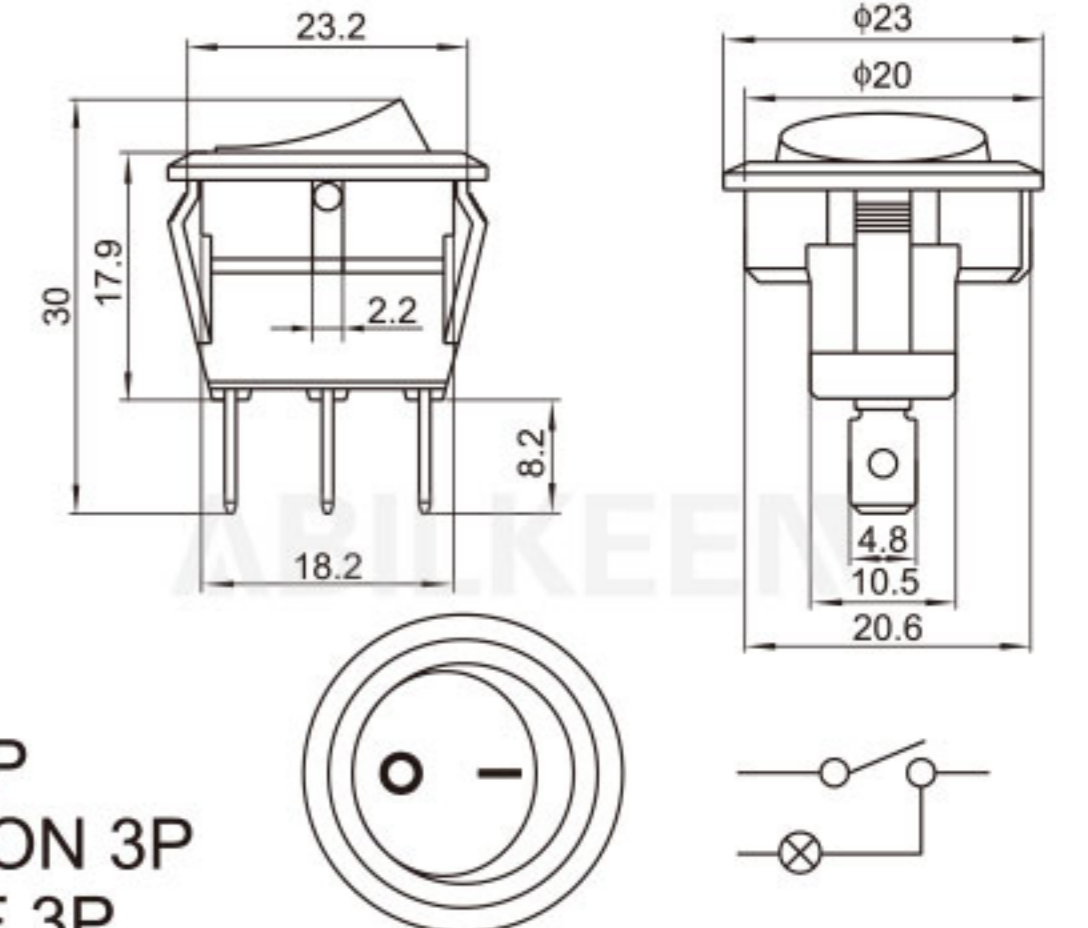
KCD1-101-5 ON-OFF 2P  
KCD1-111-5 OFF-(ON) 2P



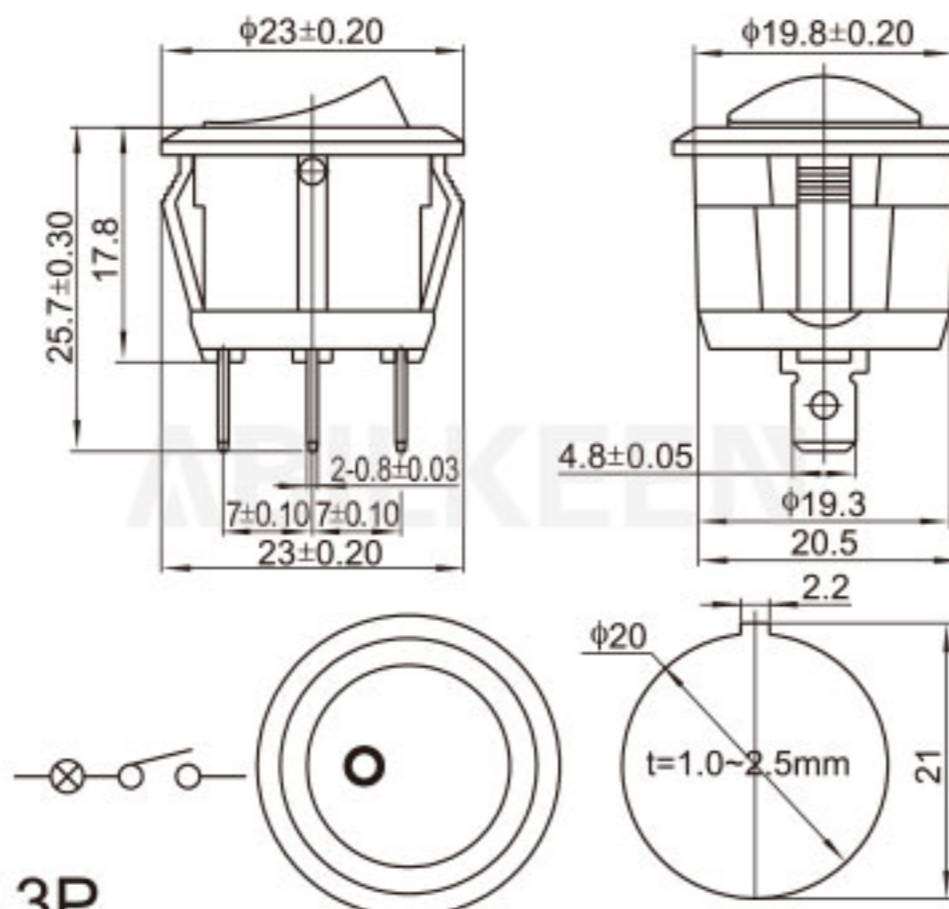
KCD1-101-8 ON-OFF 2P



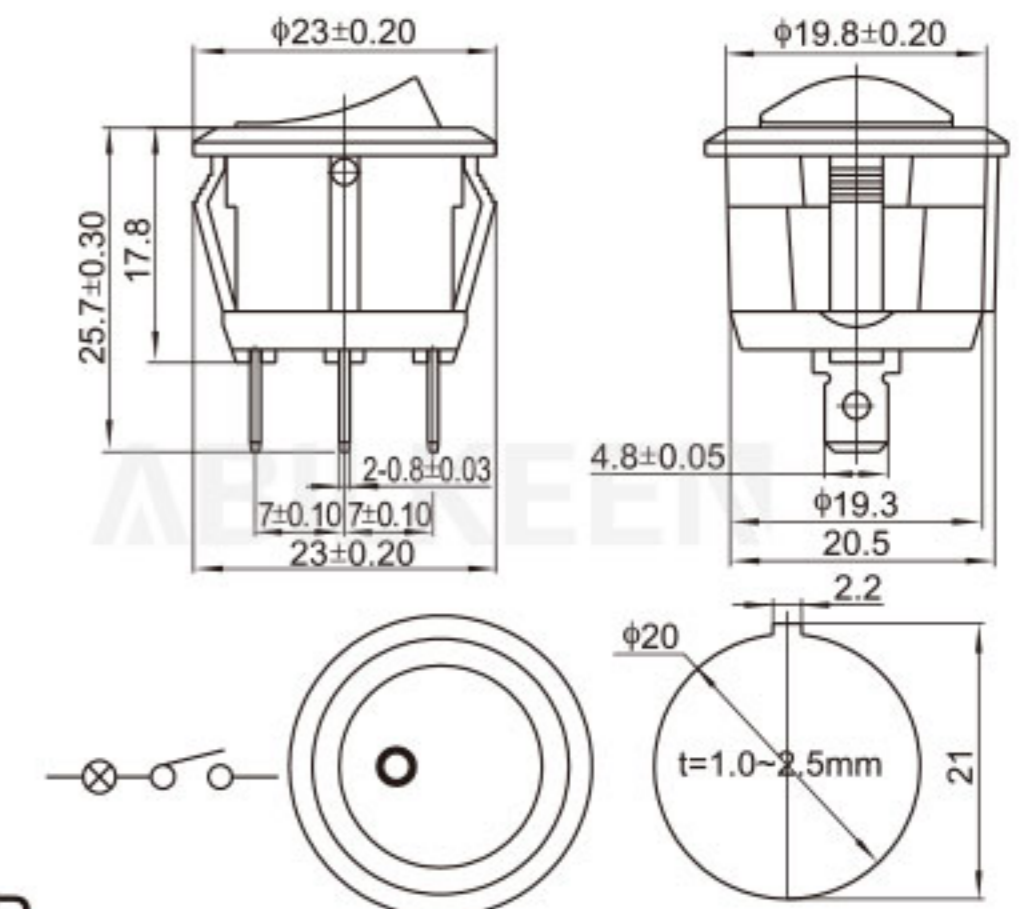
KCD1-101N-5 ON-OFF 3P  
KCD1-102-5 ON-ON 3P  
KCD1-103-5 ON-OFF-ON 3P  
KCD1-113-5 ON-OFF-(ON) 3P KCD1-123-5 (ON)-OFF-(ON) 3P



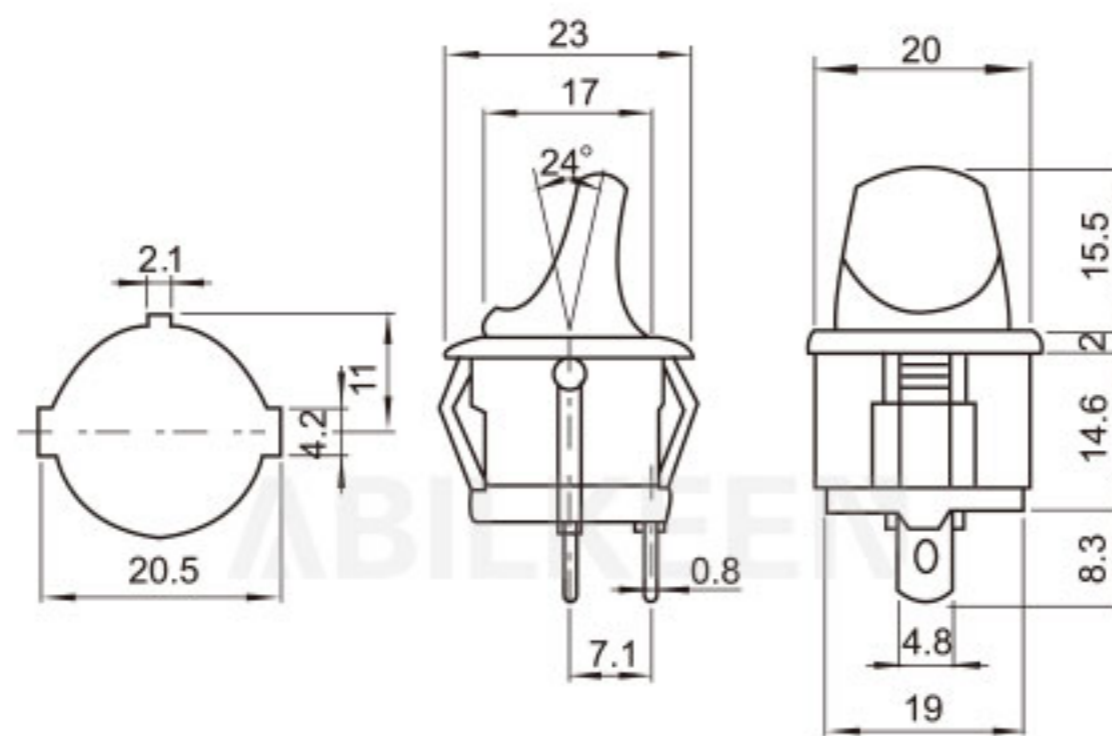
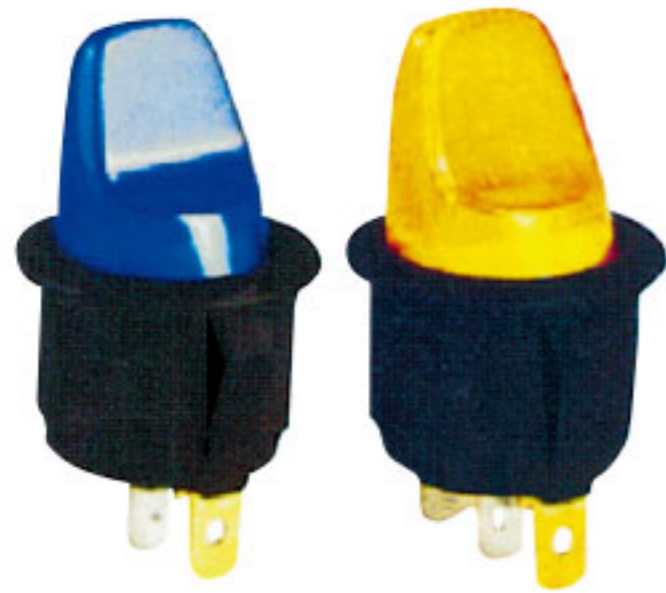
KCD1-102-8 ON-ON 3P  
KCD1-103-8 ON-OFF-ON 3P  
KCD1-101N-8 ON-OFF 3P



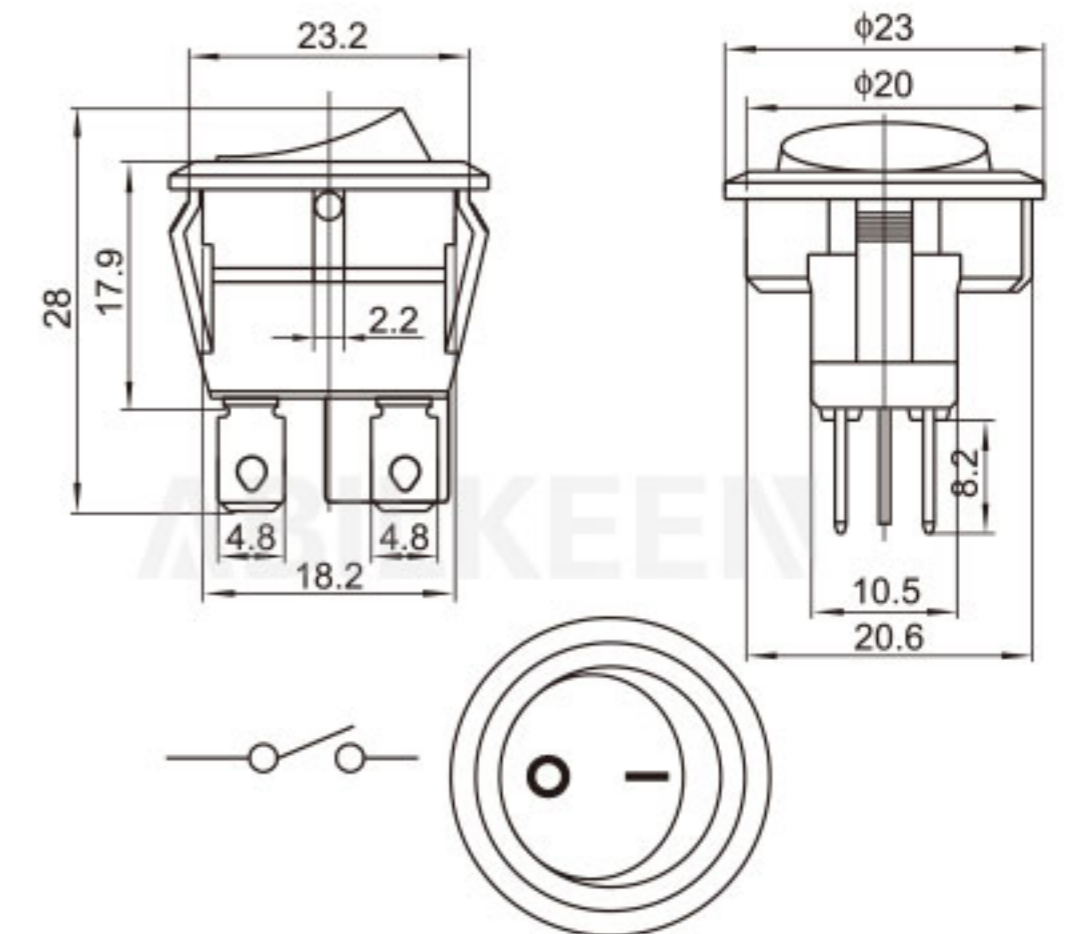
KCD1-101EN-5 ON-OFF 3P



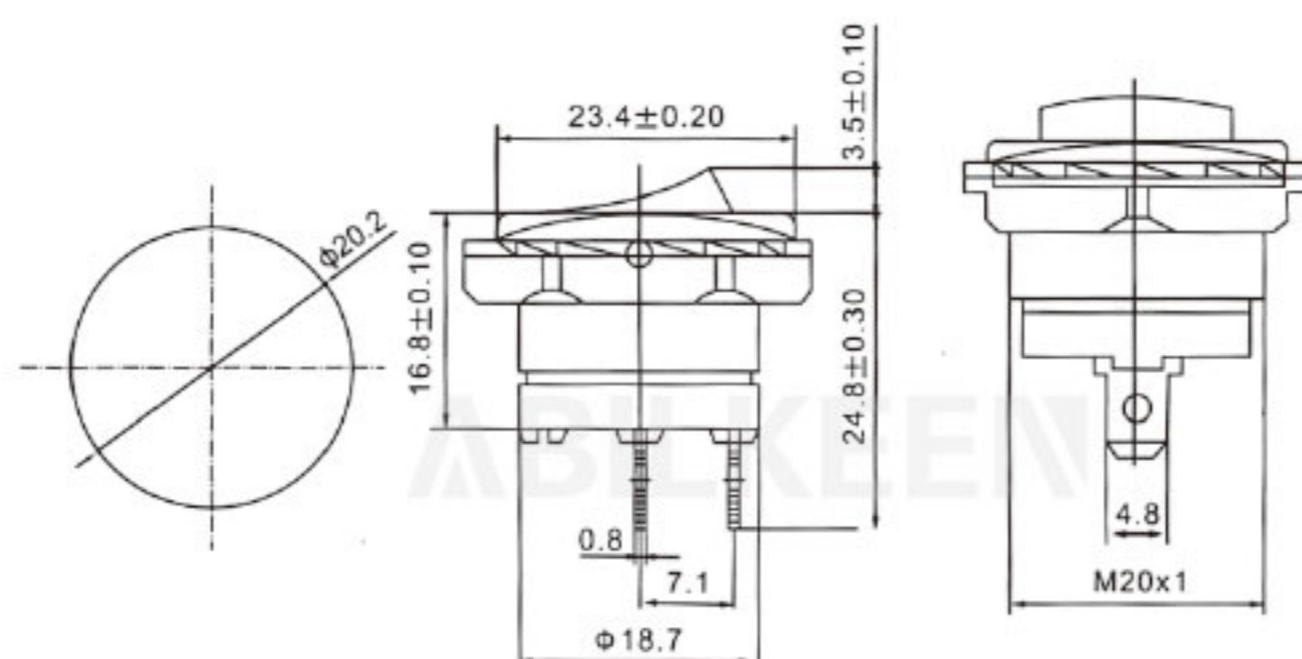
KCD1-101EN-8 ON-OFF 3P



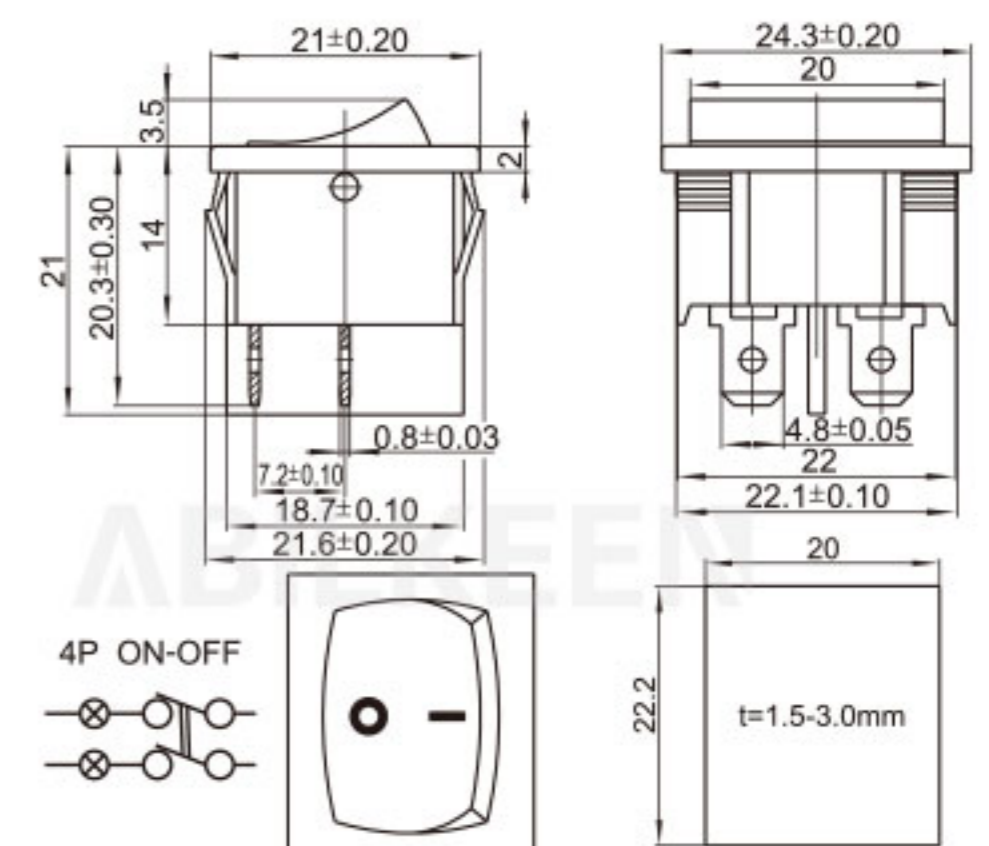
KCD1-101H-5 ON-OFF 2P KCD1-102H-5 ON-ON 3P  
KCD1-101NH-5 ON-OFF 3P KCD1-103H-5 ON-OFF-ON 3P



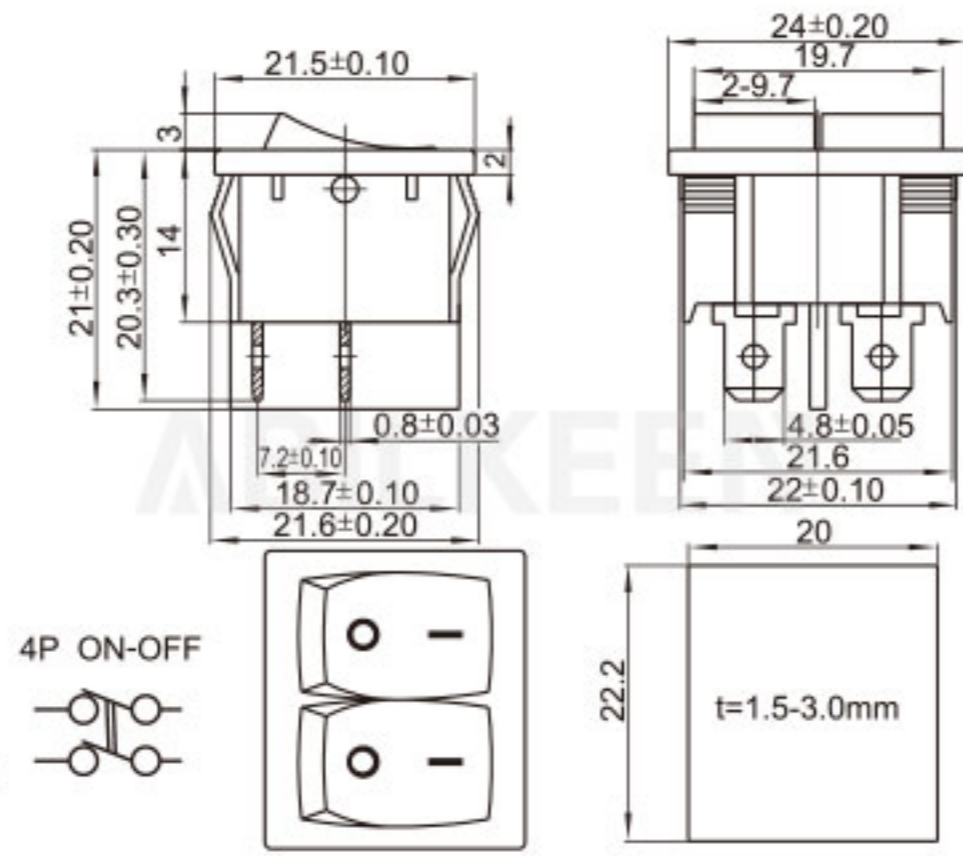
KCD1-201-8 ON-OFF  
KCD1-201N-8 ON-OFF  
KCD1-202-8 ON-ON



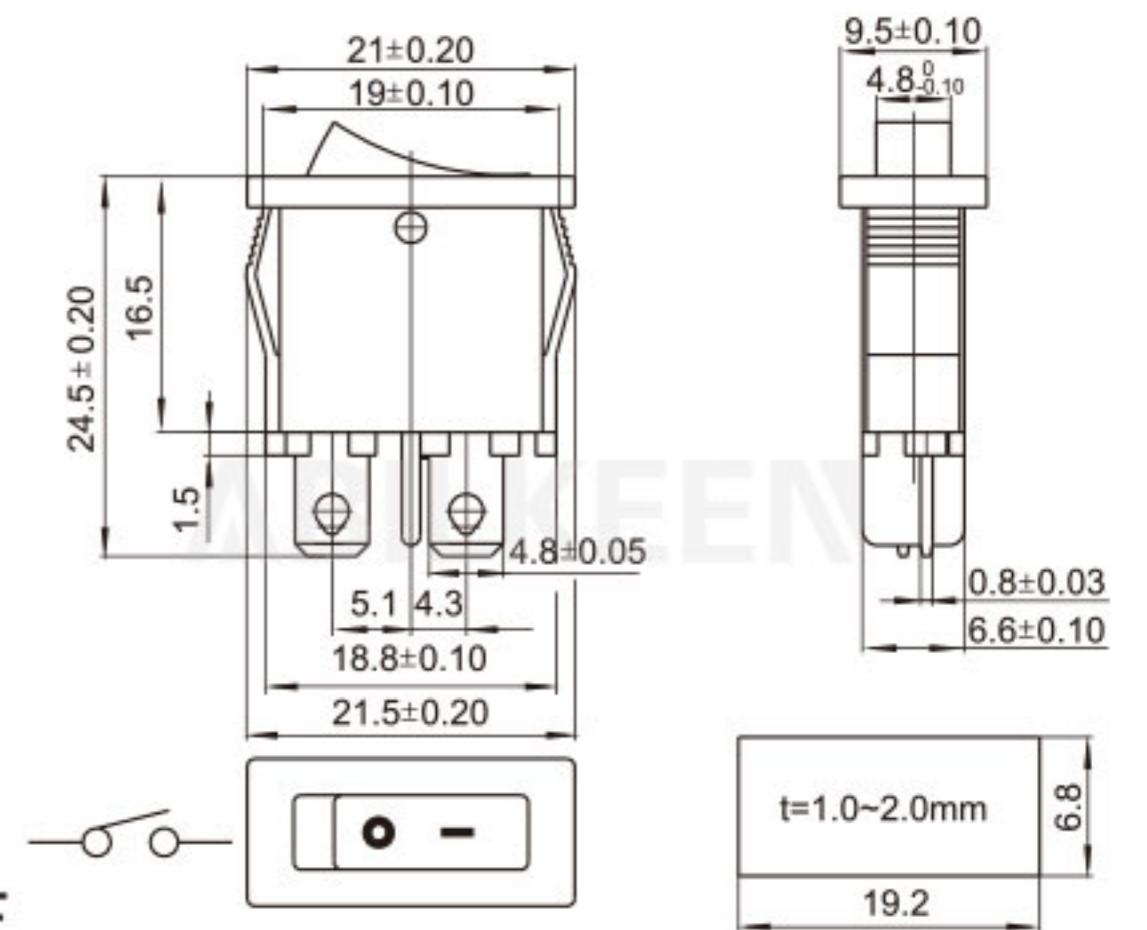
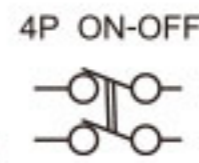
KCD1-101Y-7 ON-OFF 2P  
KCD1-101NY-7 ON-OFF 3P



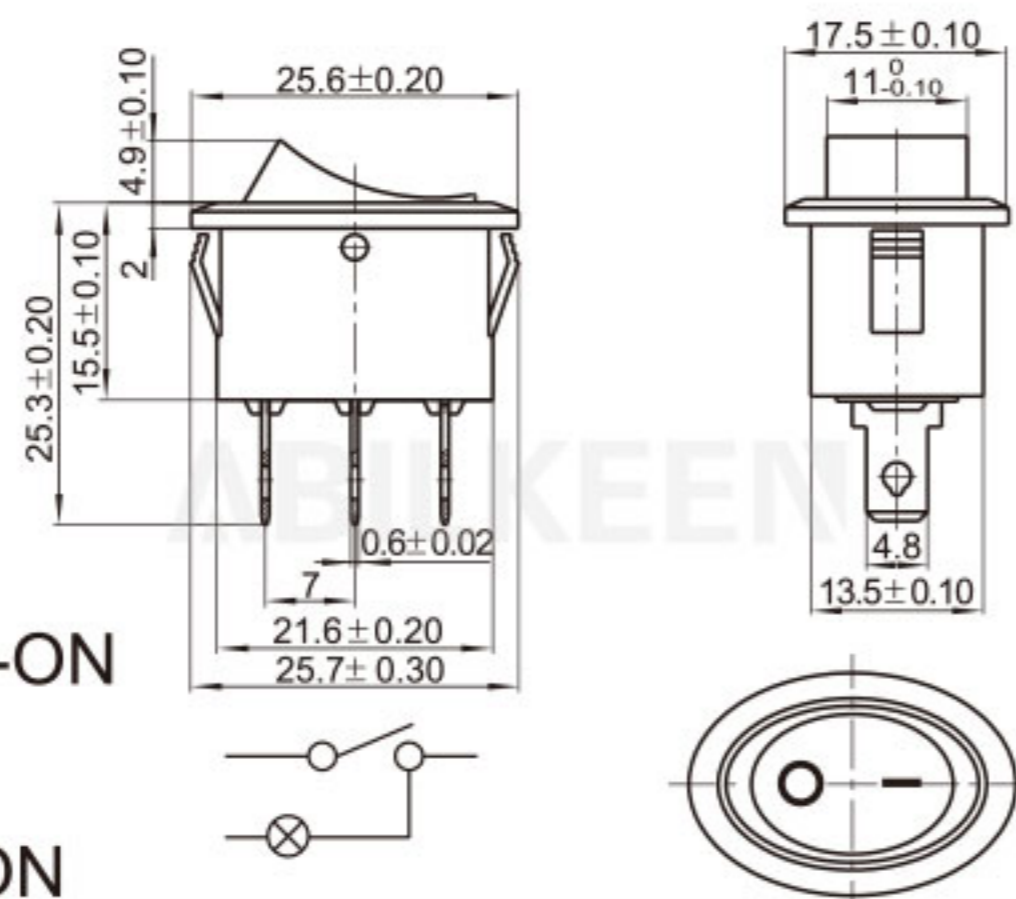
KCD1-201-6 ON-OFF  
KCD1-201N-6 ON-OFF  
KCD1-202-6 ON-ON  
KCD1-202N-6 ON-ON KCD1-203-6 ON-OFF-ON



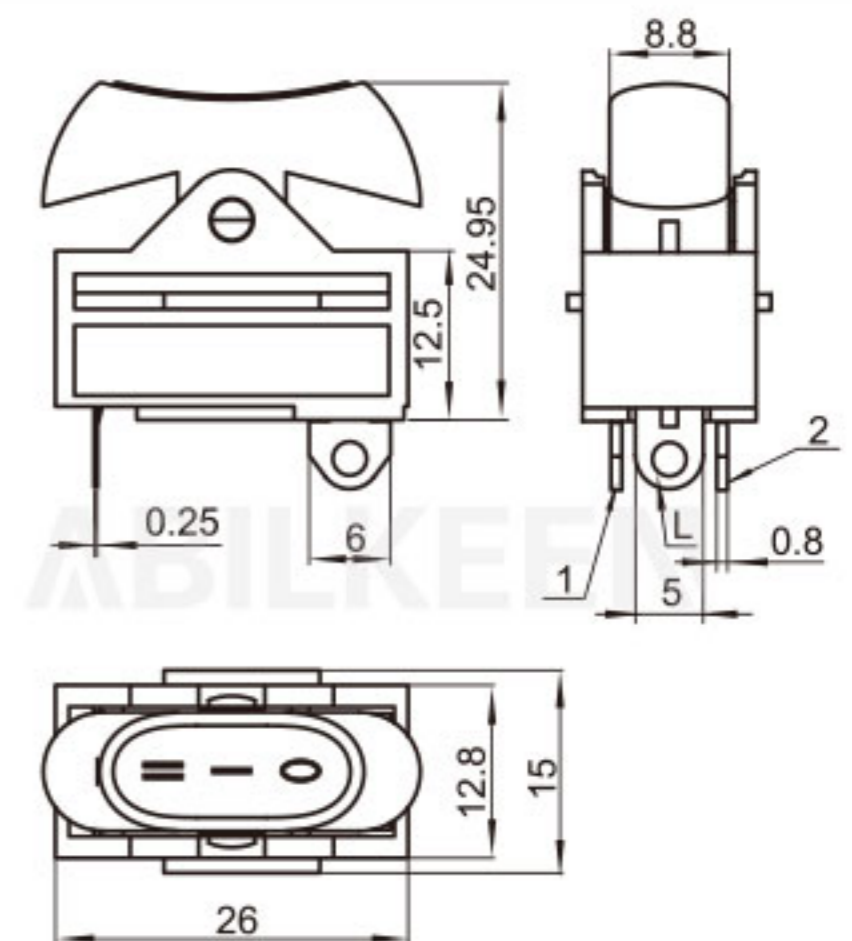
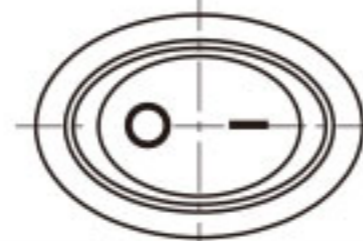
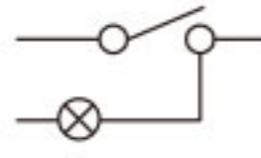
KCD1-2101-6 ON-OFF  
KCD1-2101N-6 ON-OFF  
KCD1-2102-6 ON-ON



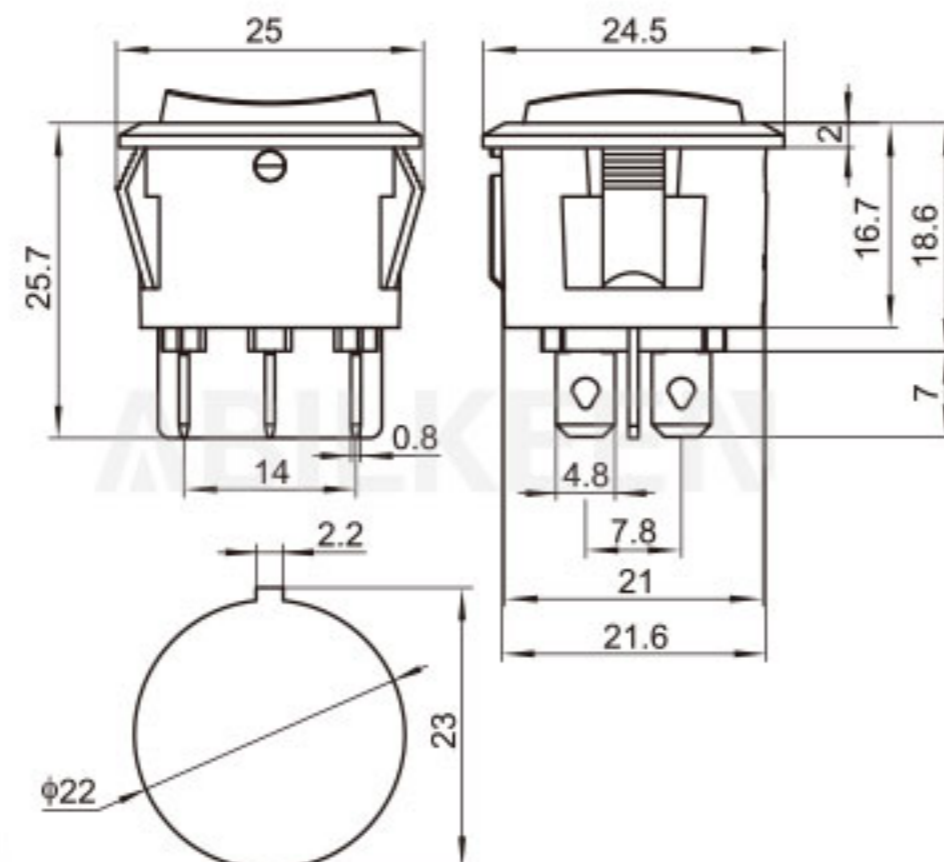
KCD1-101-12 ON-OFF



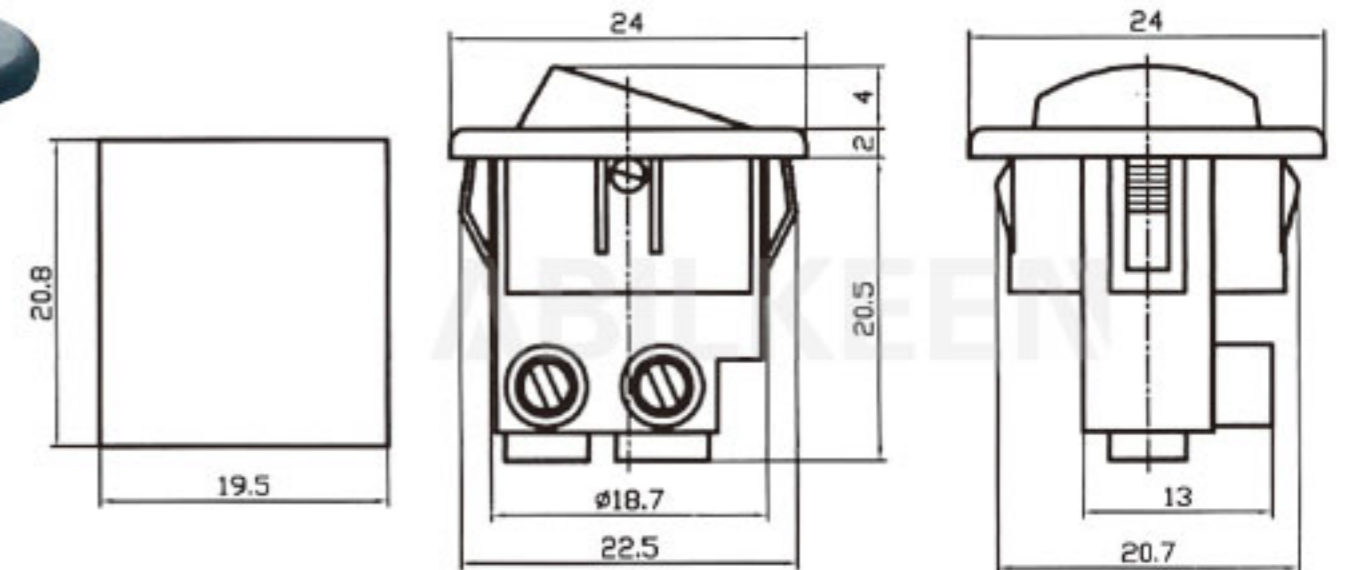
KCD1-101N-9 ON-OFF  
KCD1-103N-9 ON-OFF-ON  
KCD1-101-9 ON-OFF  
KCD1-102-9 ON-ON  
KCD1-103-9 ON-OFF-ON



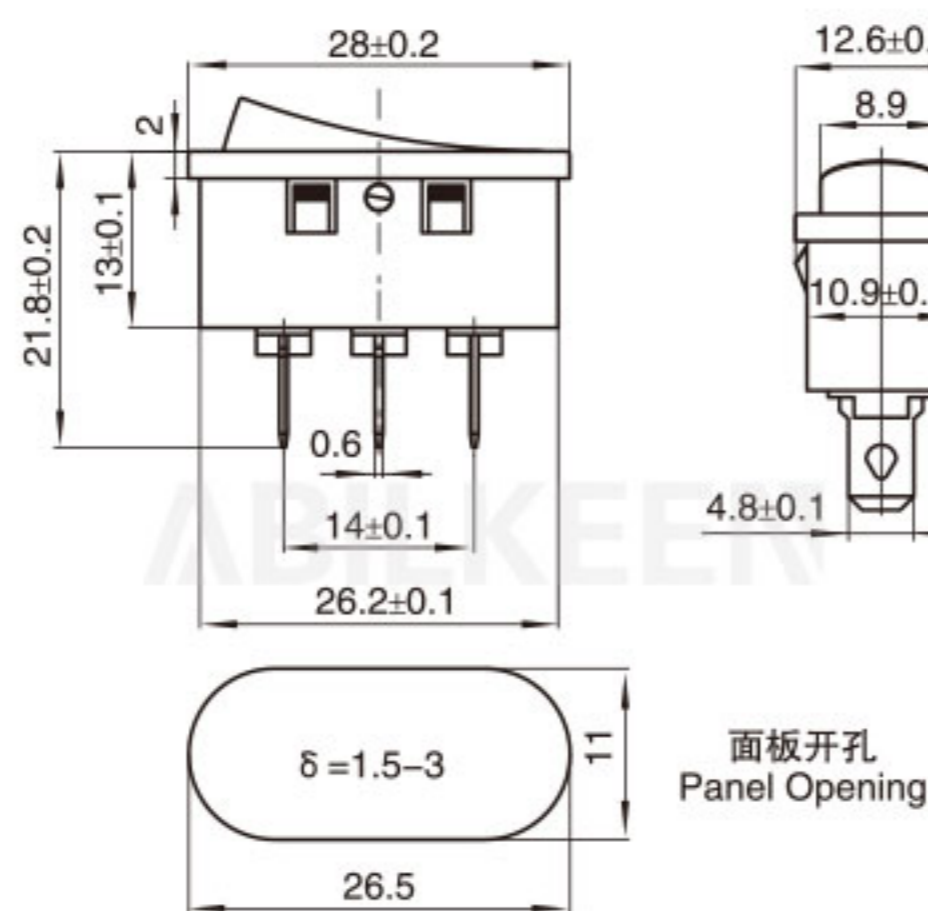
KCD1-122-14 OFF-ON-ON



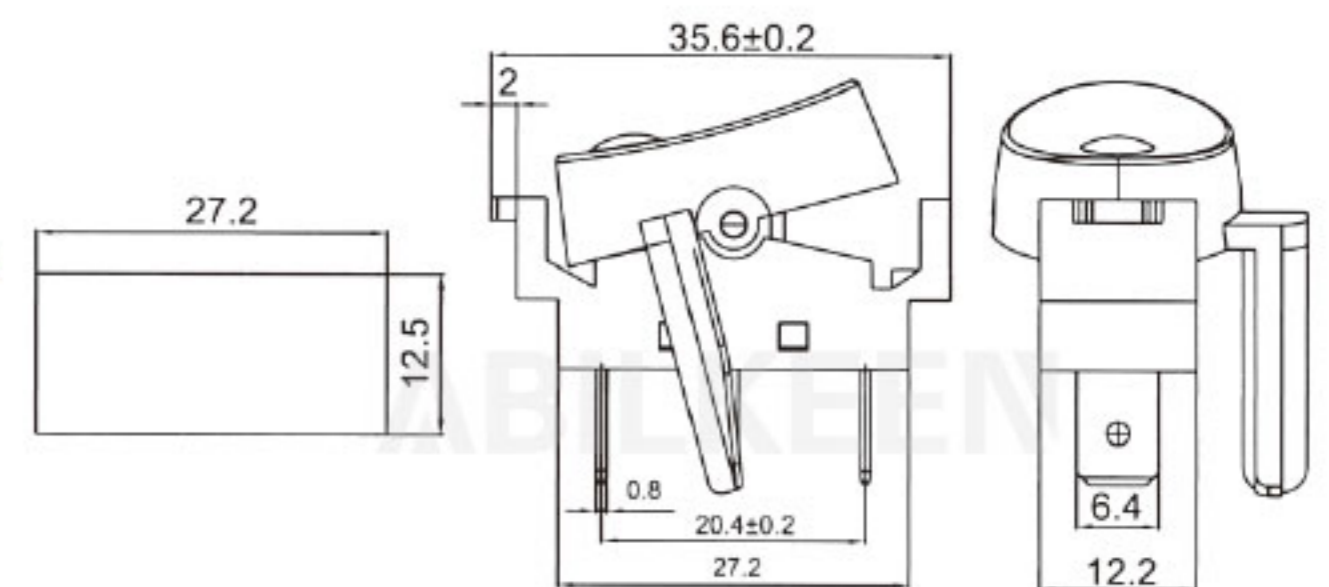
KCD1-202-5 ON-ON  
KCD1-203-5 ON-OFF-ON



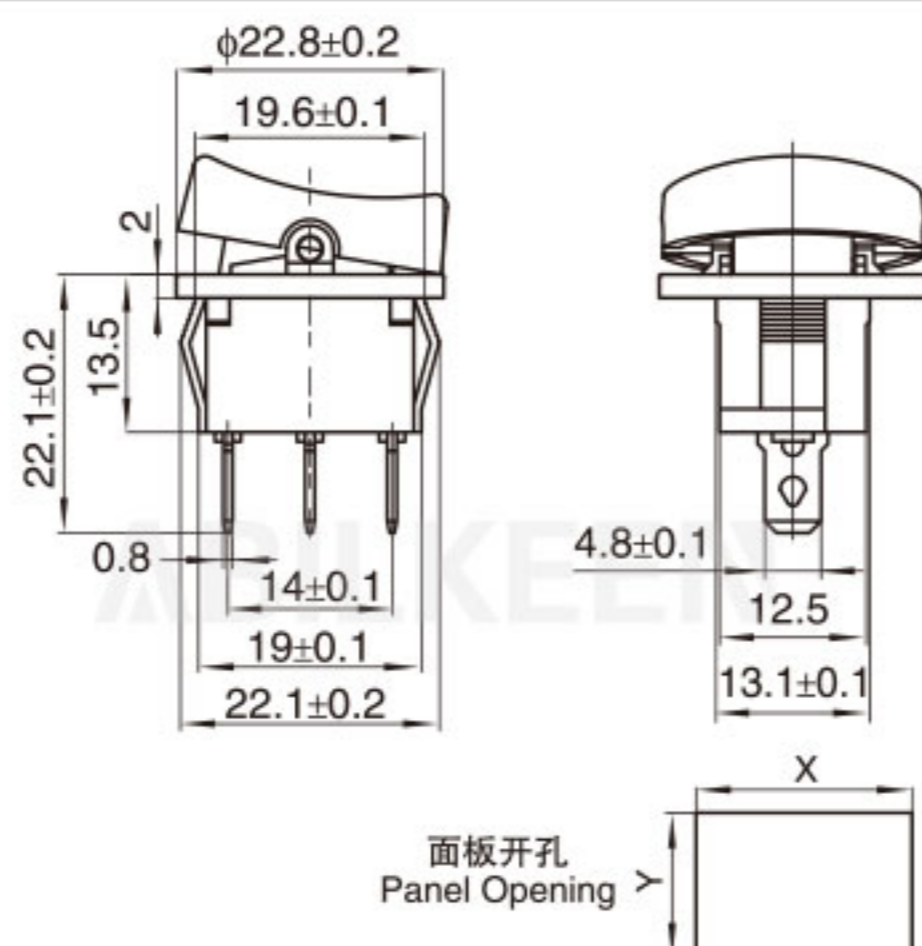
MRS-101-7 ON-OFF



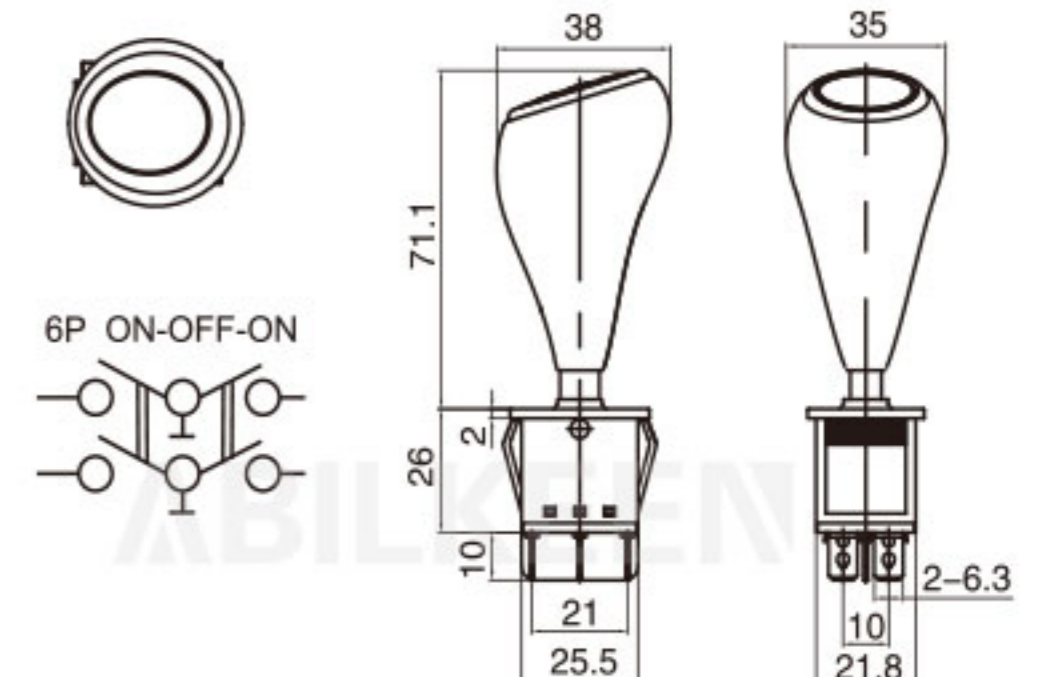
KCD1-101-10 ON-OFF  
KCD1-102-10 ON-ON



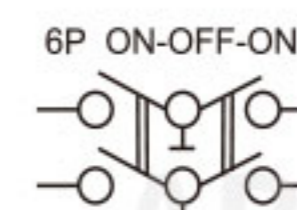
KCD3-101EN-17 ON-OFF



KCD1-101-11 ON-OFF  
KCD1-103-11 ON-OFF-ON



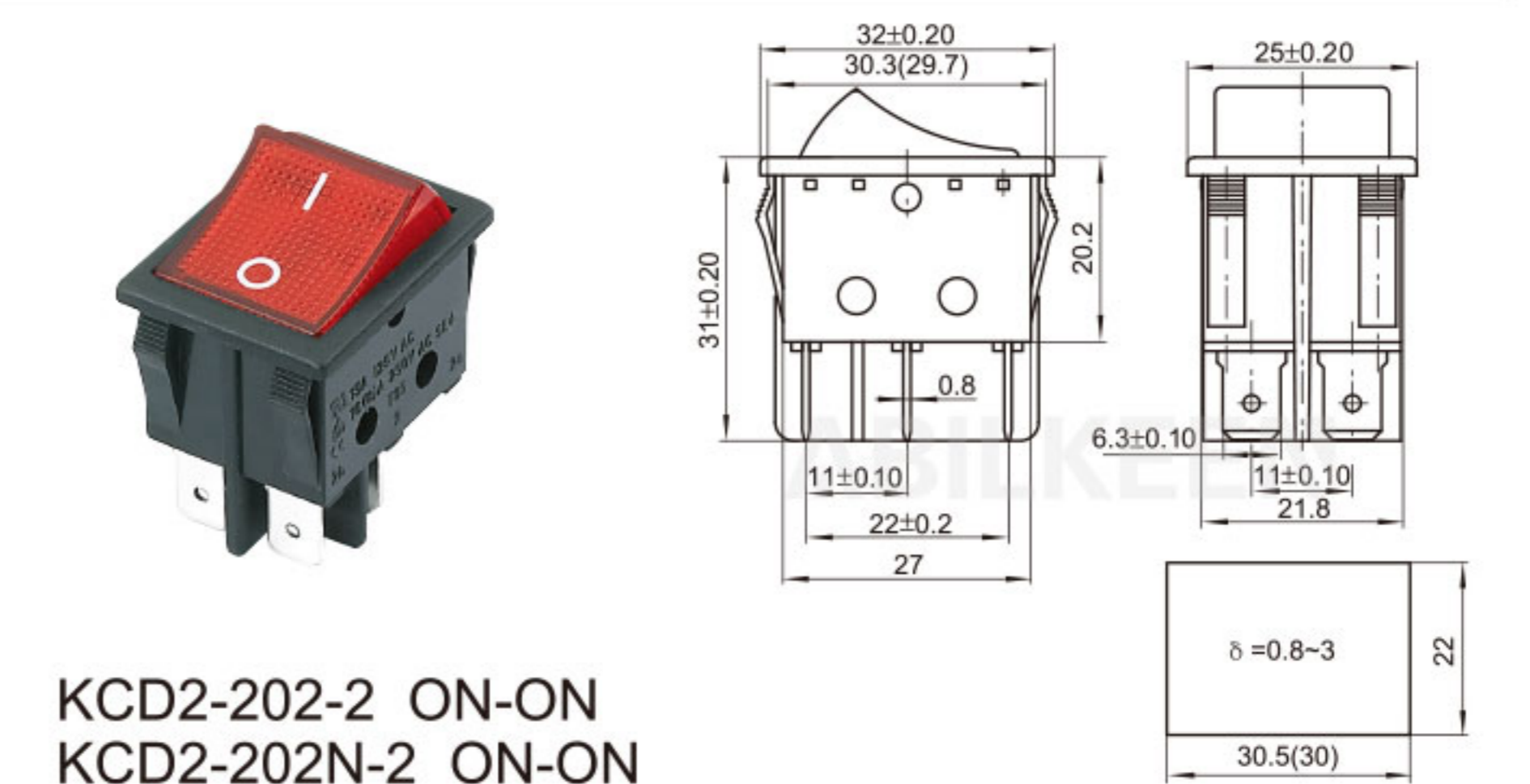
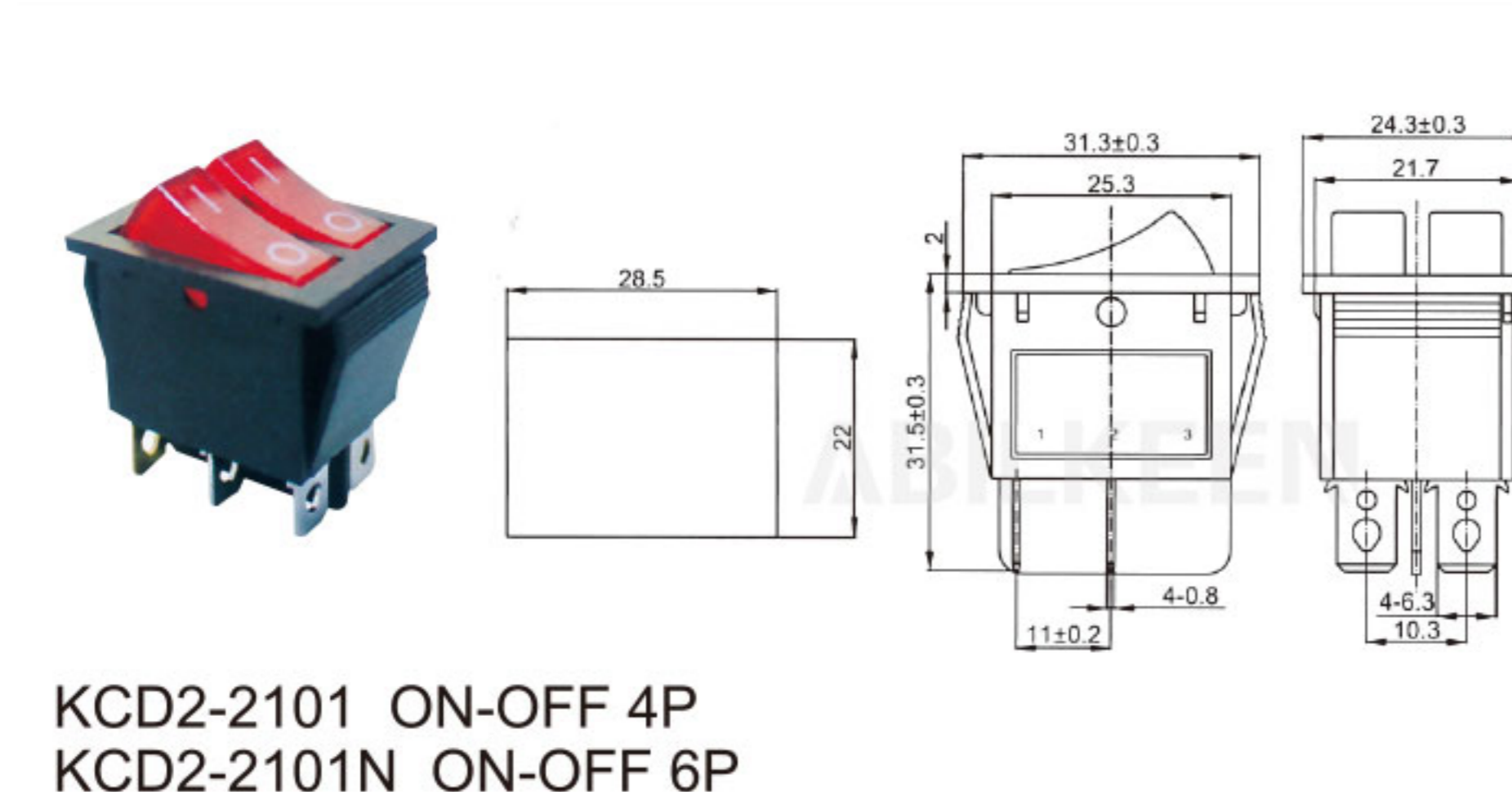
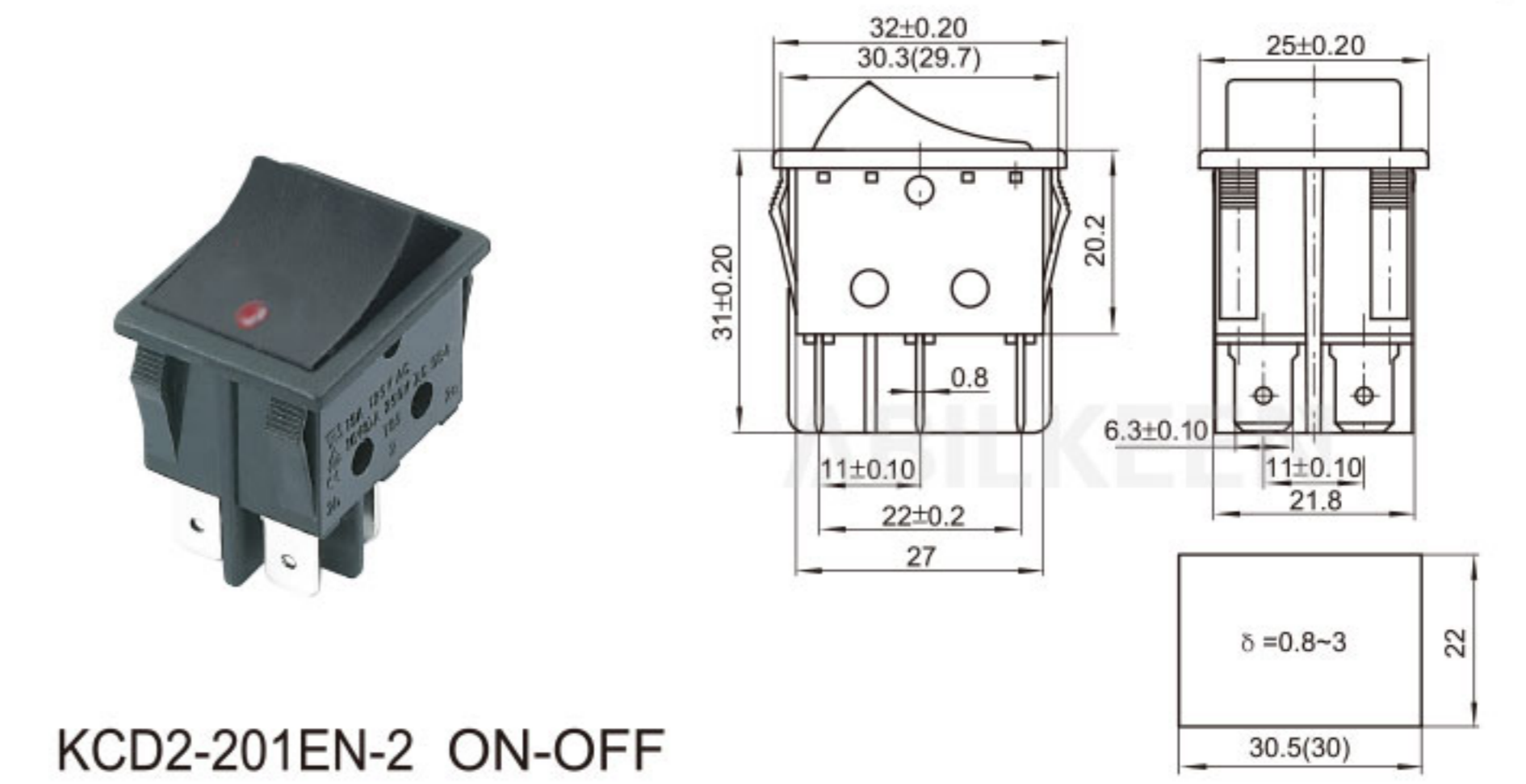
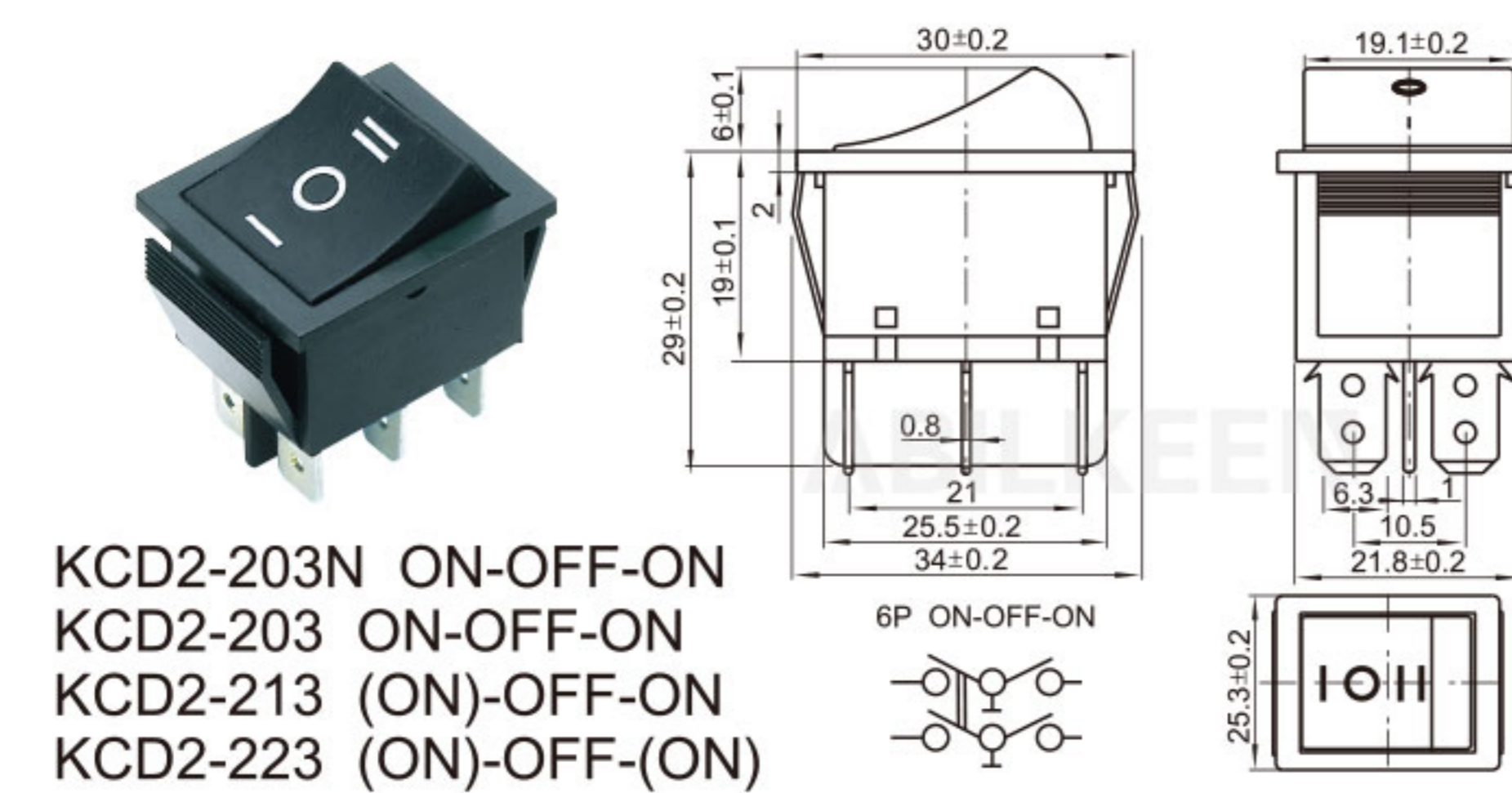
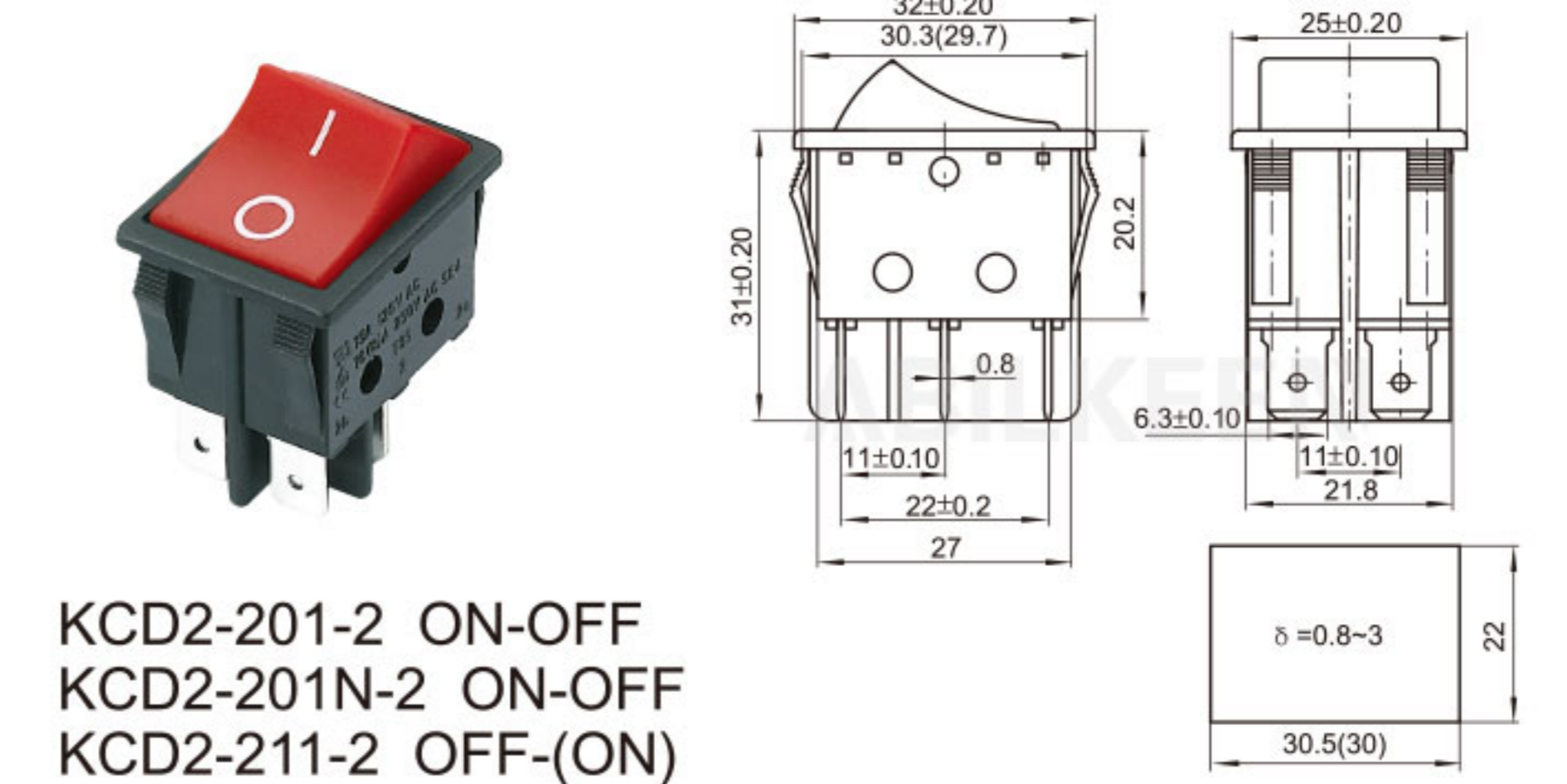
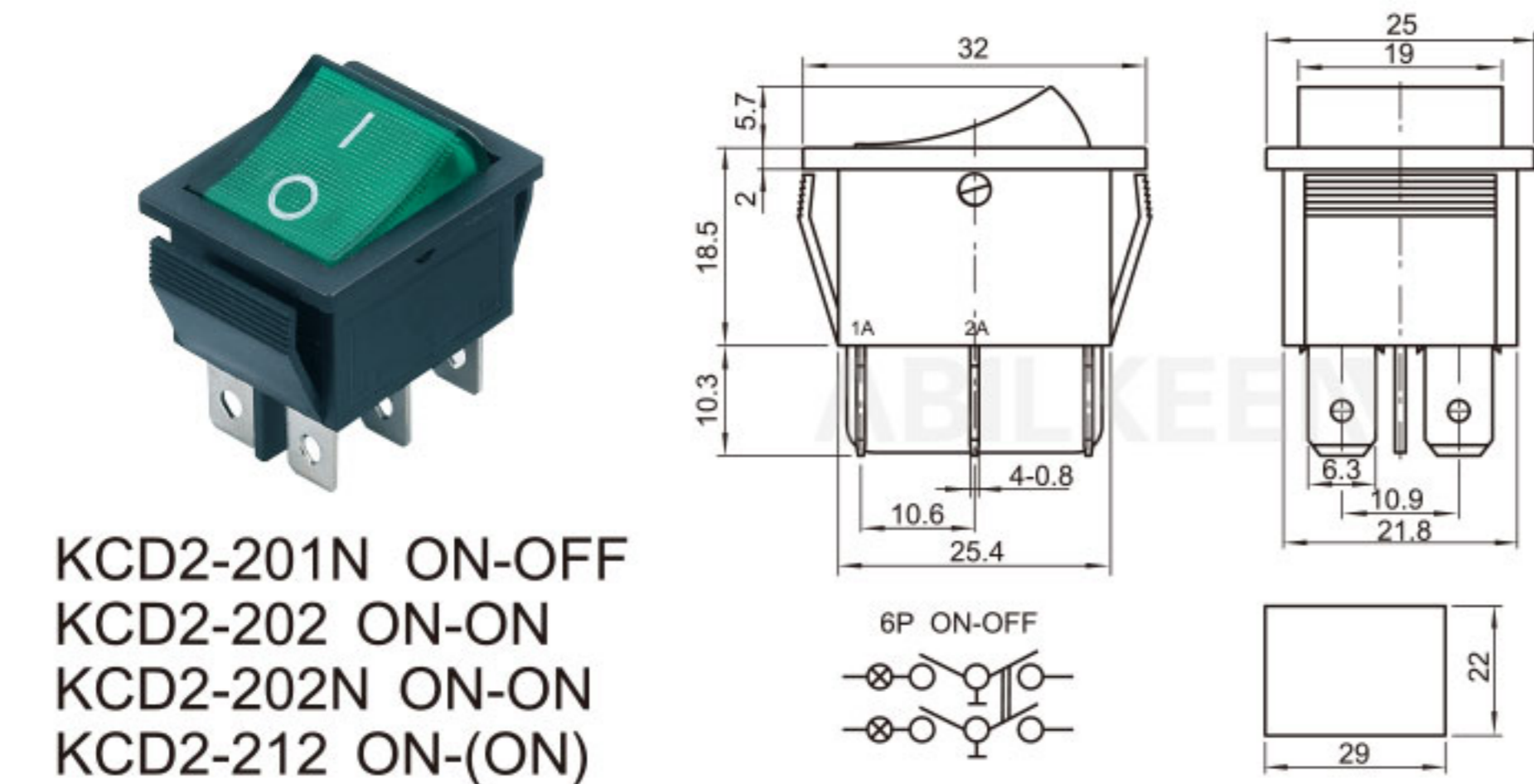
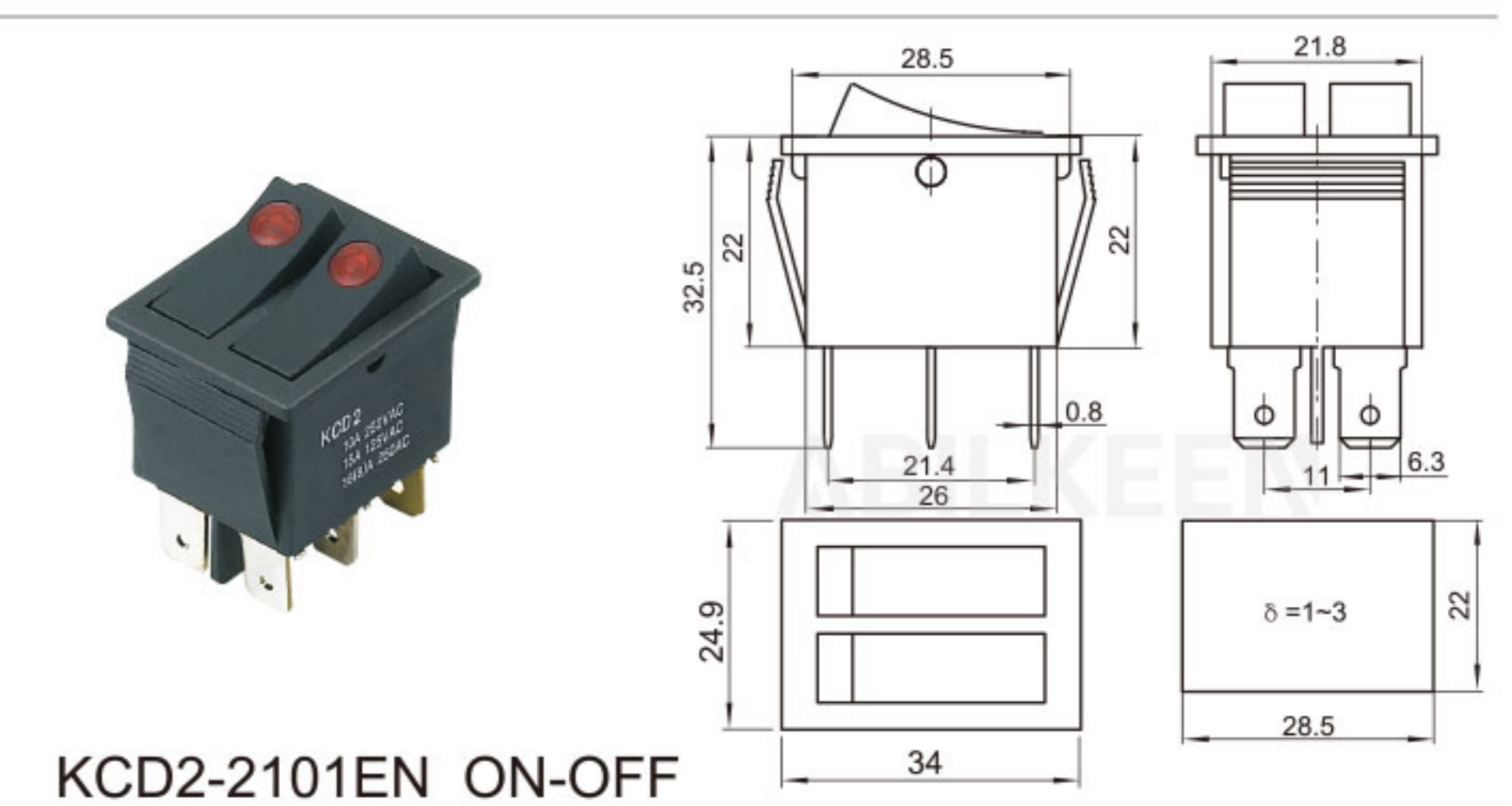
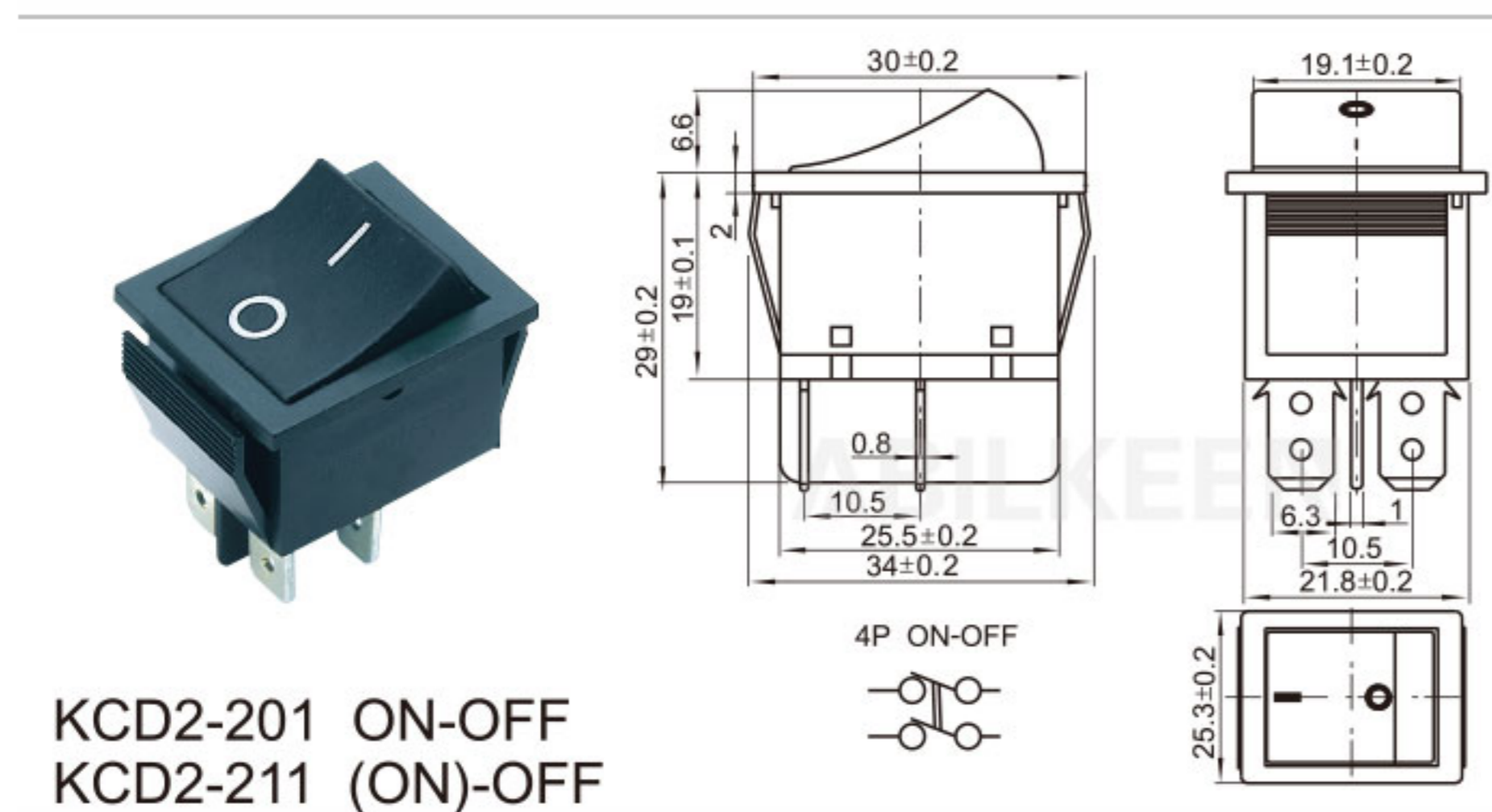
KCD3-203-18A ON-OFF (Small handle)  
KCD3-203-18B ON-OFF (Medium handle)  
KCD3-203-18C ON-OFF (Big handle)

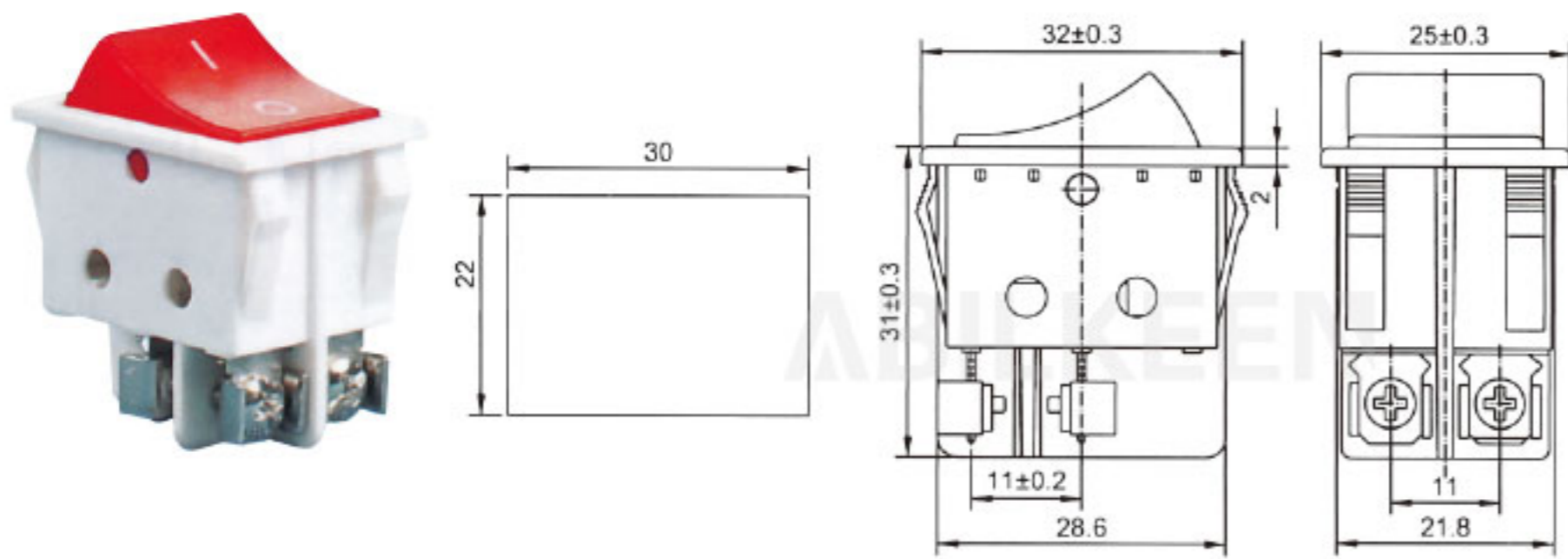


### Specifications For KCD2 Series

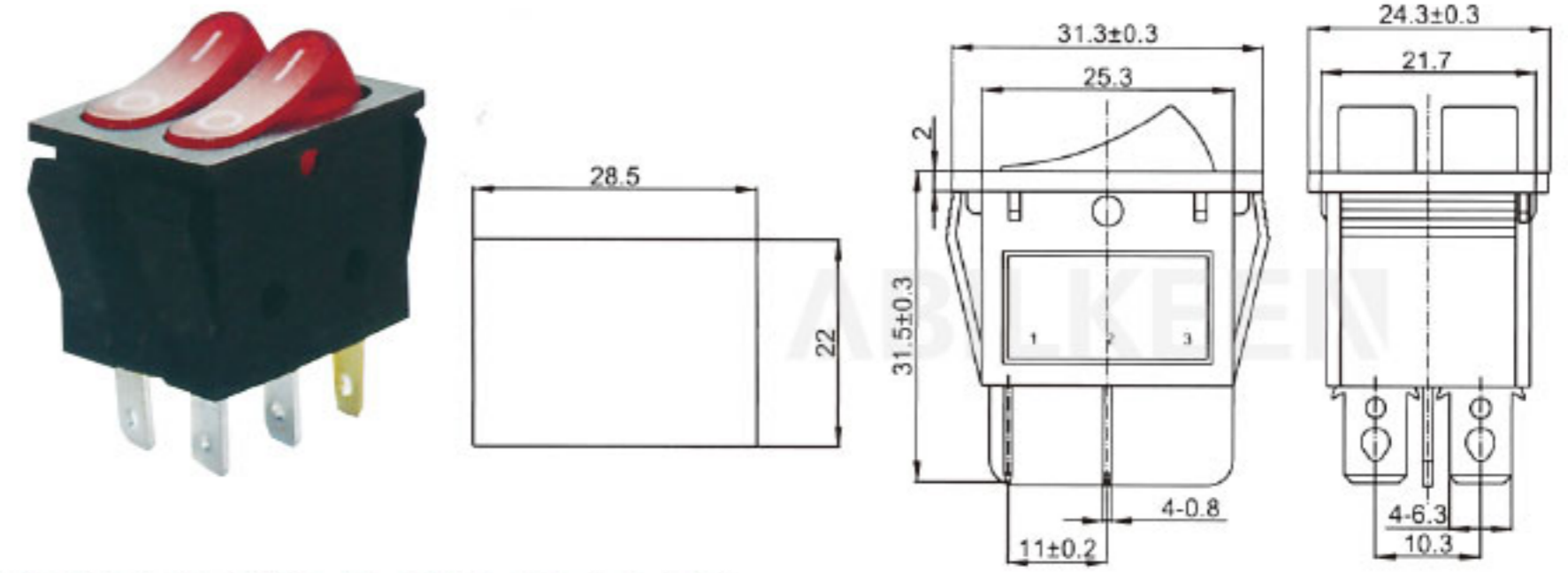
Project 项目	Parameter 参数
规格 Rating	20A 125VAC; 16A 250VAC
接触电阻 Contact Resistance	≤ 35mΩ
绝缘电阻 Insulation Resistance	≥ 500VDC 100MΩ

Project 项目	Parameter 参数
耐电压 Withstand Voltage	1500VAC, 1 min
操作温度 Operating Temperature	-25℃ ~ +85℃
电气寿命 Electric Life	≥ 10,000 Cycles





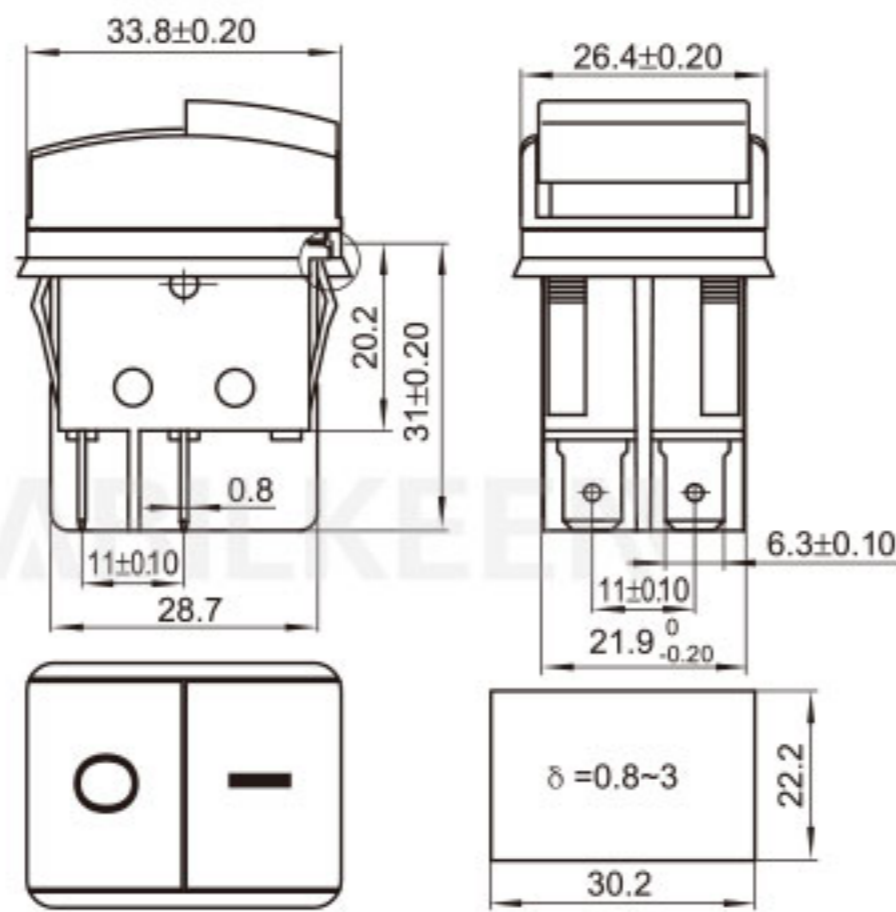
KCD2-201NJ-2 ON-OFF  
KCD2-201J-2 ON-OFF



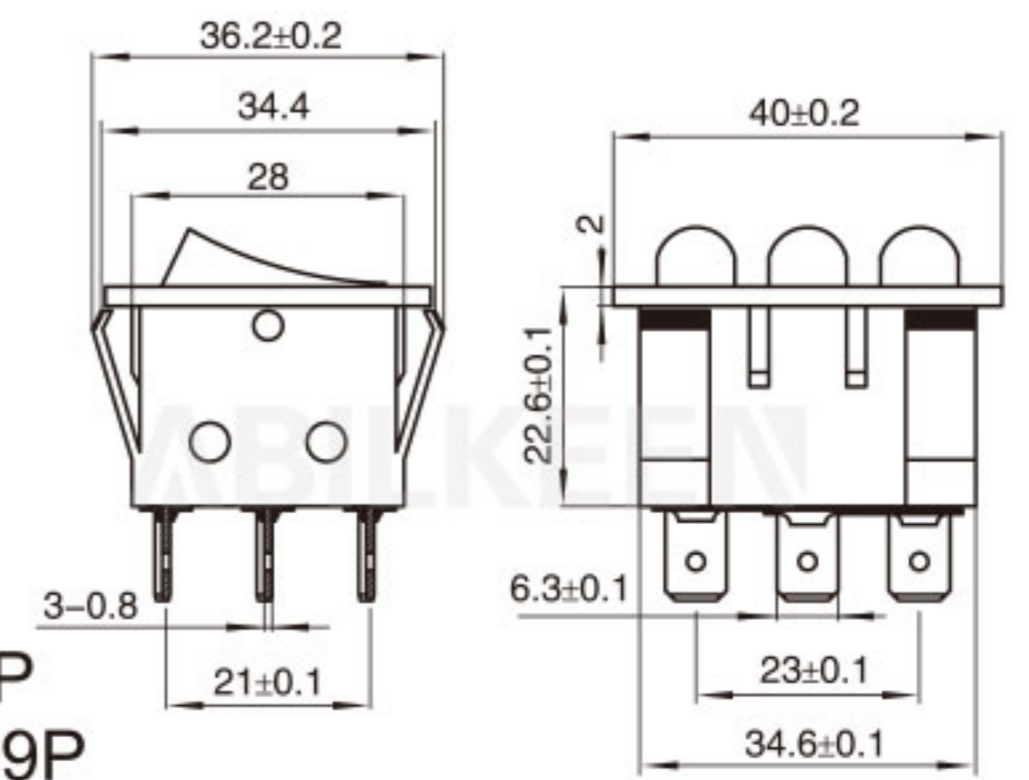
KCD2-2101-5 ON-OFF 4P  
KCD2-2101N-5 ON-OFF 6P



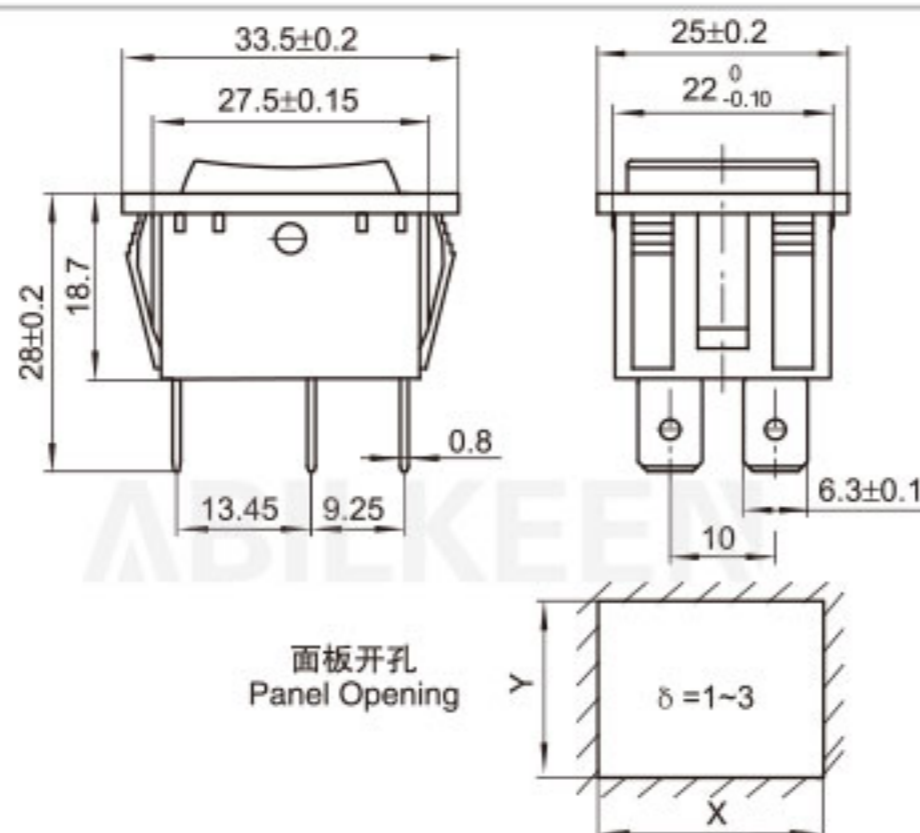
KCD2-201P-2 ON-OFF  
KCD2-202P-2 ON-ON  
KCD2-202NP-2 ON-ON



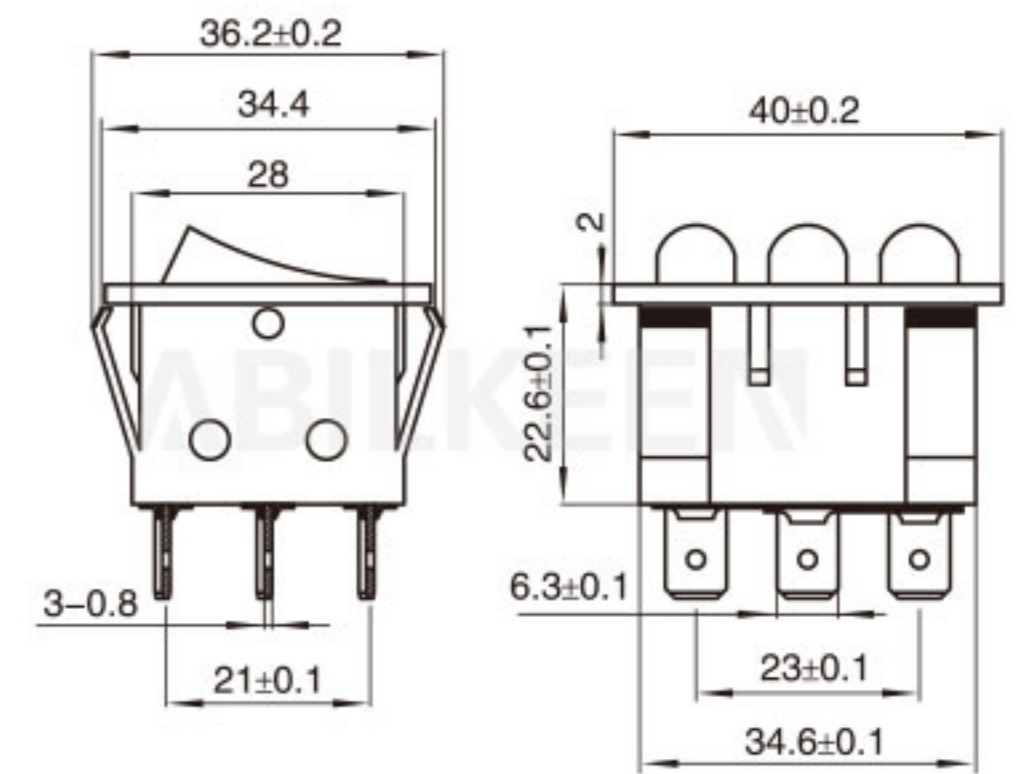
KCD2-3101 ON-OFF 6P  
KCD2-3101N ON-OFF 9P  
KCD2-3101N-2 ON-OFF 8P White Color



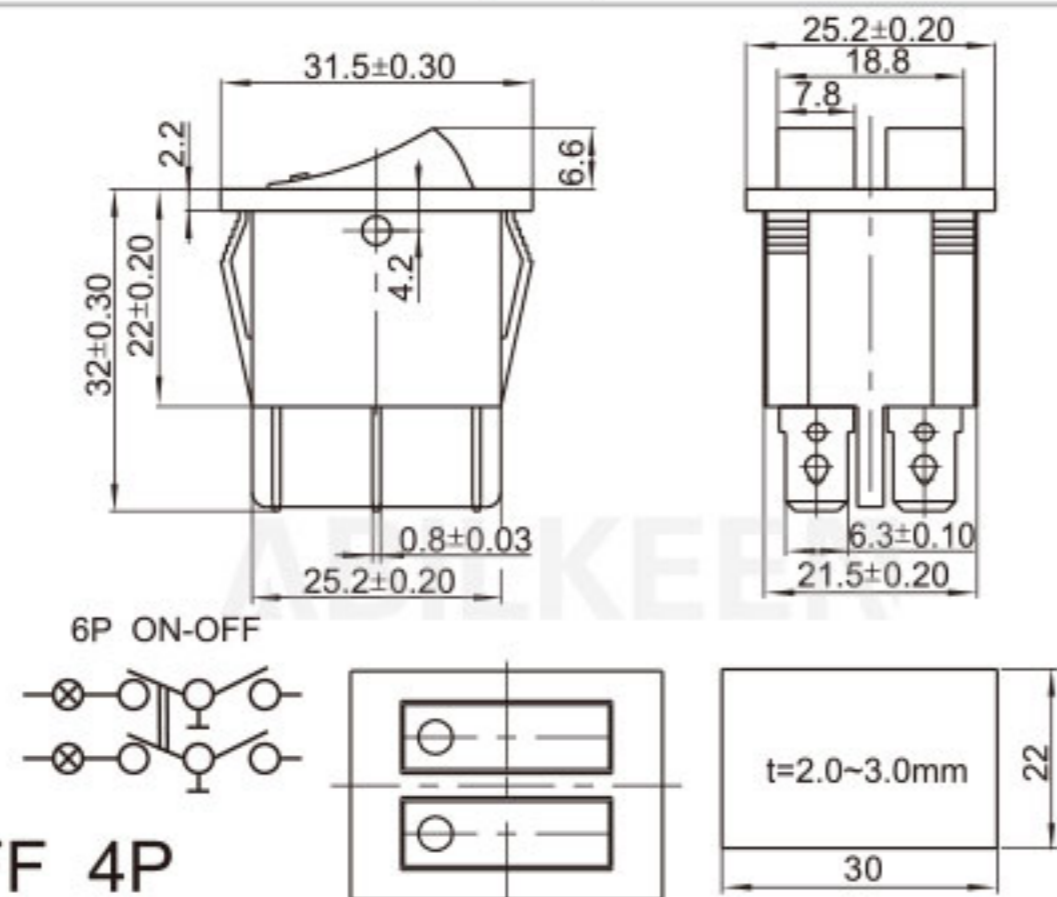
KCD2-201-3 ON-OFF  
KCD2-203-3 ON-OFF-ON  
KCD2-213-3 (ON)-OFF-ON  
KCD2-223-3 (ON)-OFF-(ON) KCD2-211-3 OFF-(ON)  
KCD2-202-3 ON-ON KCD2-212-3 ON-(ON)



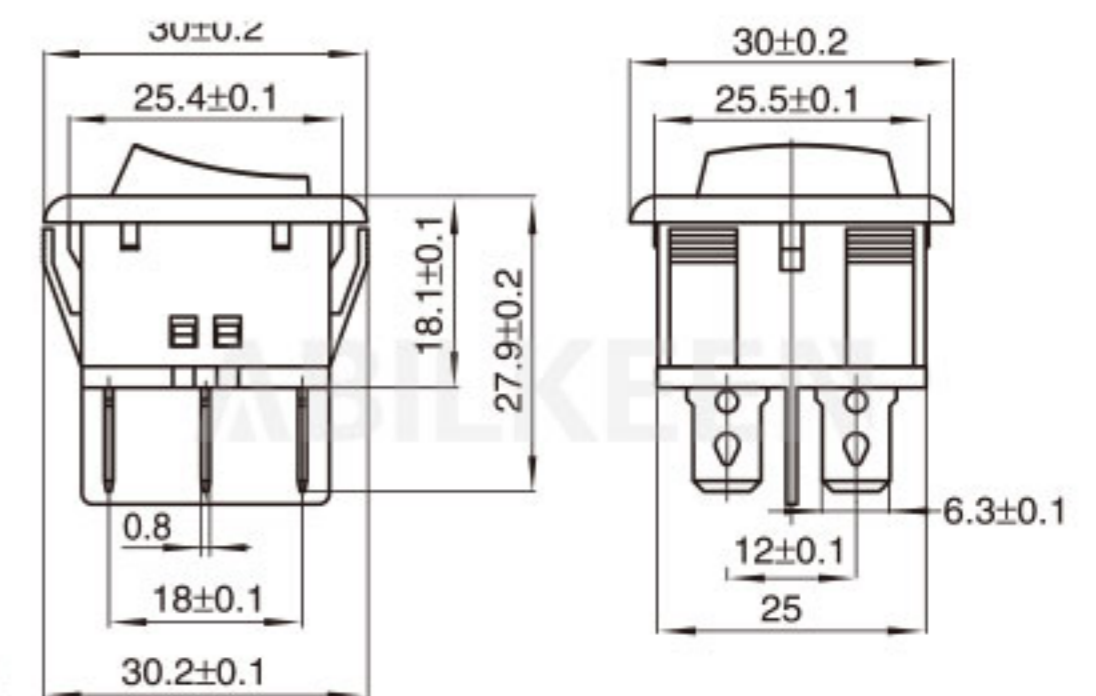
KCD2-3101N-3 ON-OFF 8P



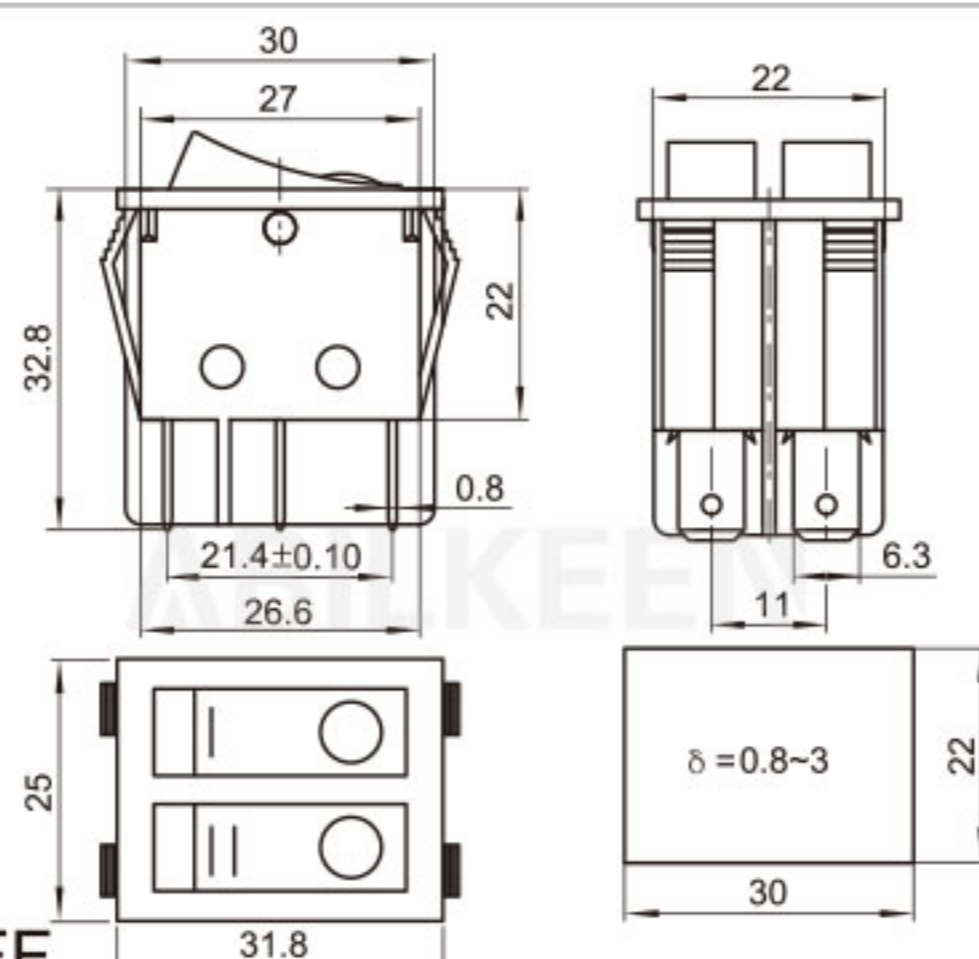
KCD2-2101-4 ON-OFF 4P  
KCD2-2101N-4 ON-OFF 6P



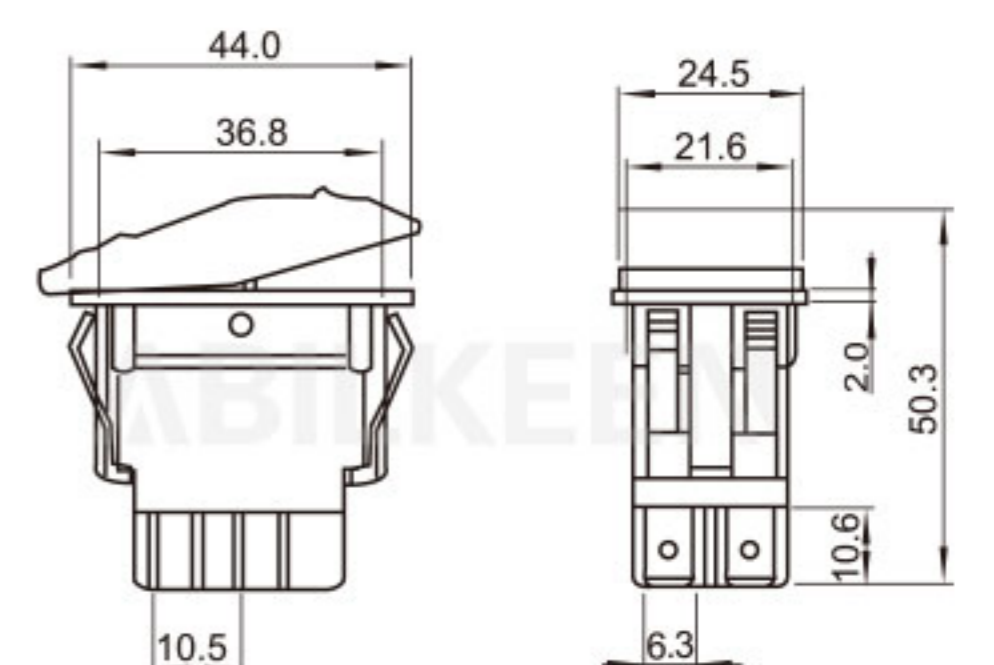
KCD2-201-10 ON-OFF  
KCD2-201N-10 ON-OFF



KCD2-2101EN-4 ON-OFF



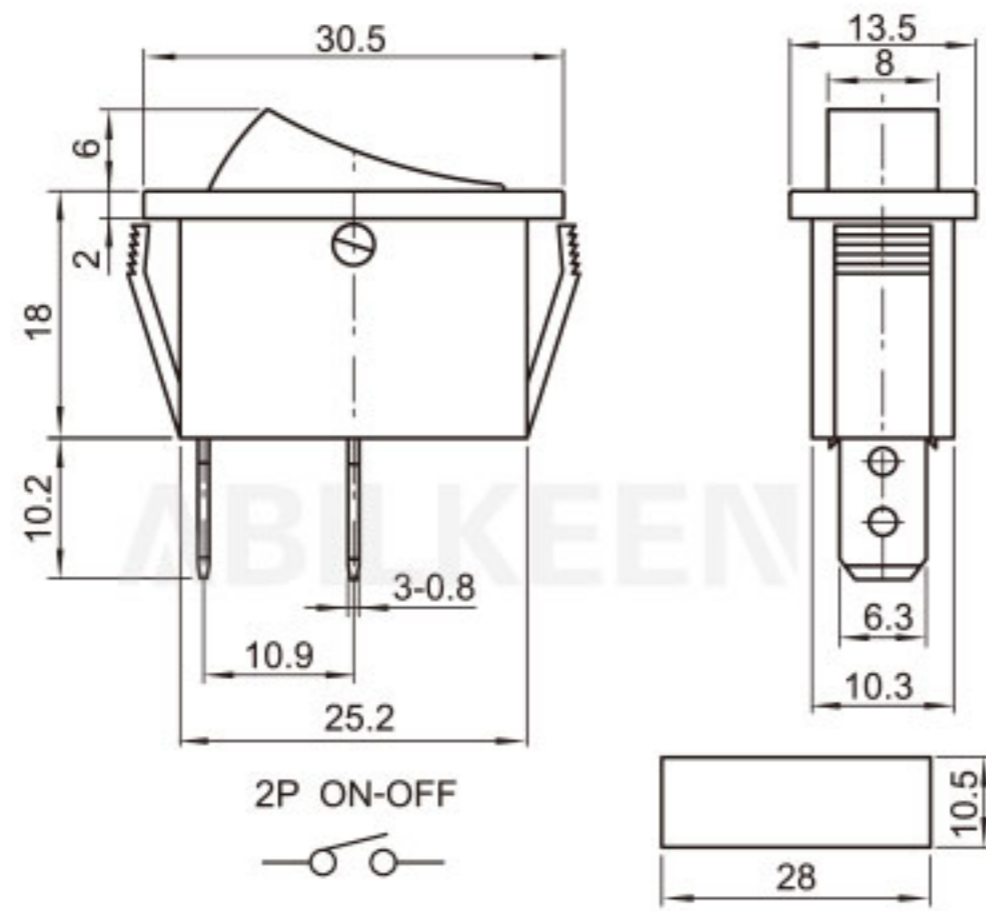
KCD2-201-11 ON-OFF  
KCD2-201N-11 ON-OFF



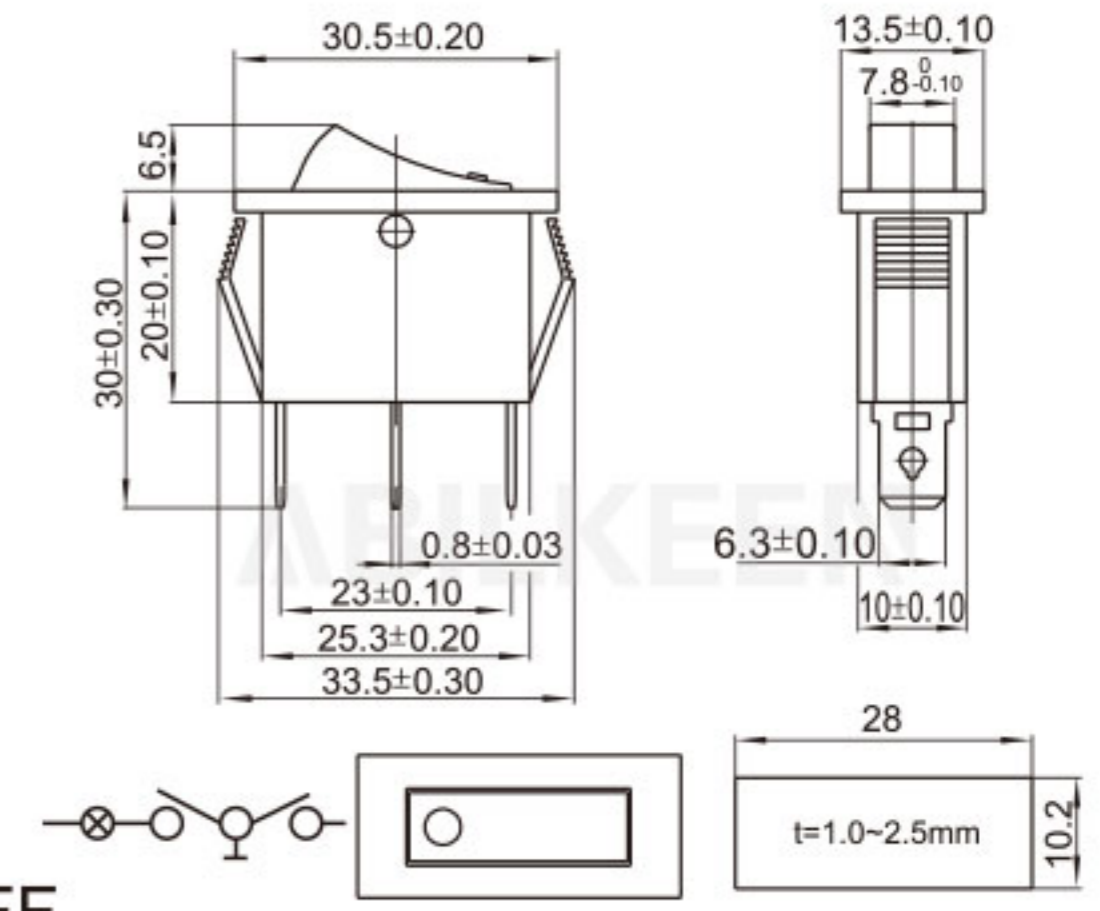
### Specifications For KCD3 Series

Project 项目	Parameter 参数
规格 Rating	20A 125VAC; 15A 250VAC
接触电阻 Contact Resistance	≤ 35mΩ
绝缘电阻 Insulation Resistance	≥ 500VDC 100MΩ

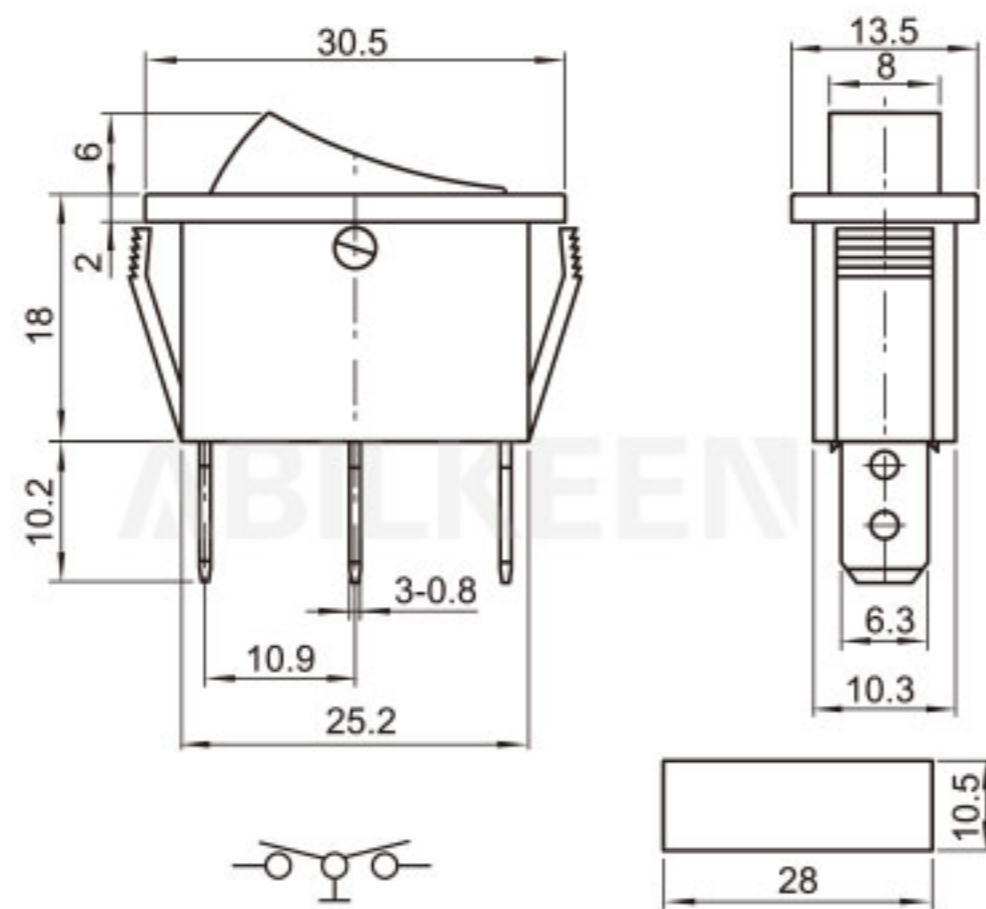
Project 项目	Parameter 参数
耐电压 Withstand Voltage	1500VAC, 1 min
操作温度 Operating Temperature	-25℃ ~ +85℃
电气寿命 Electric Life	≥ 10,000 Cycles



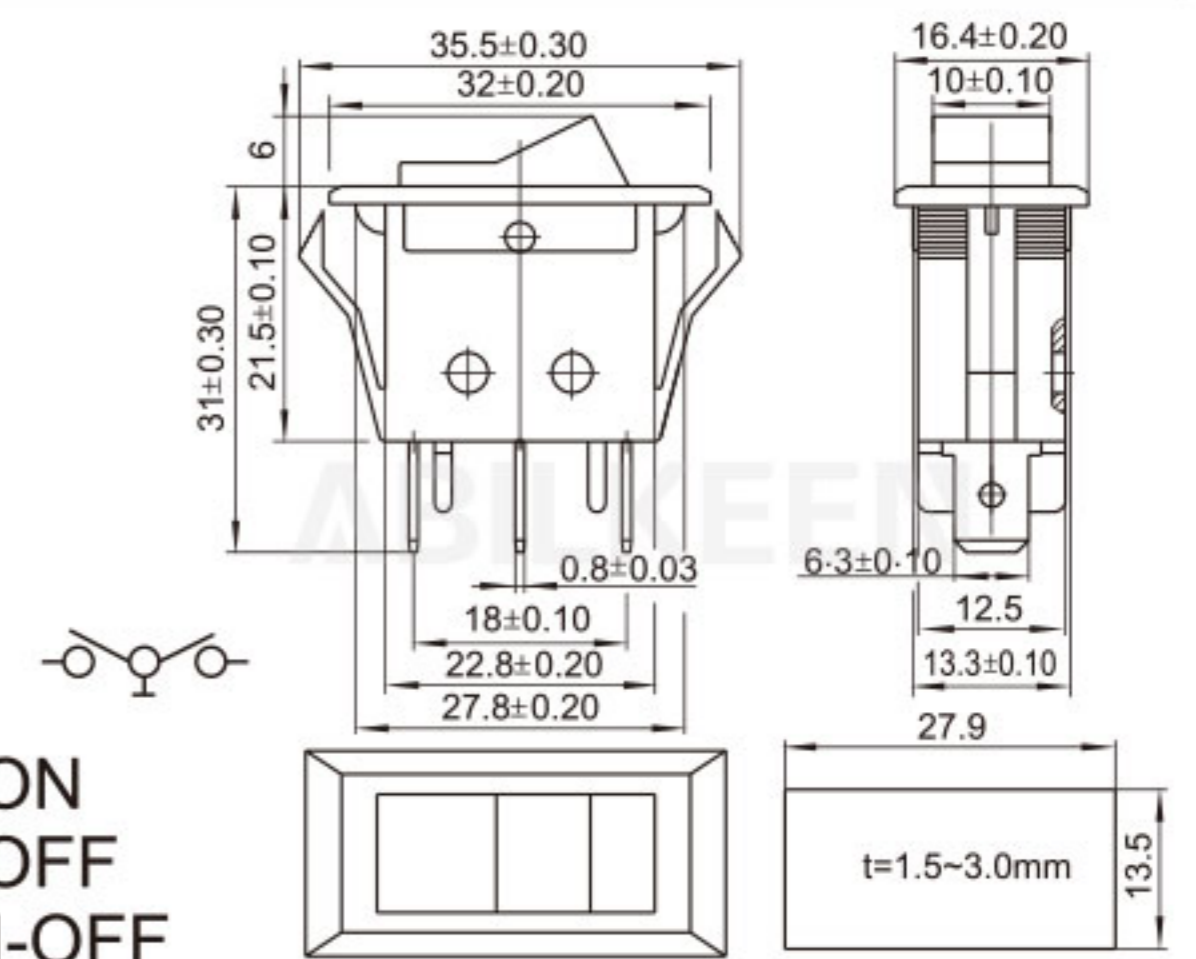
KCD3-101 ON-OFF  
KCD3-111 OFF-(ON)



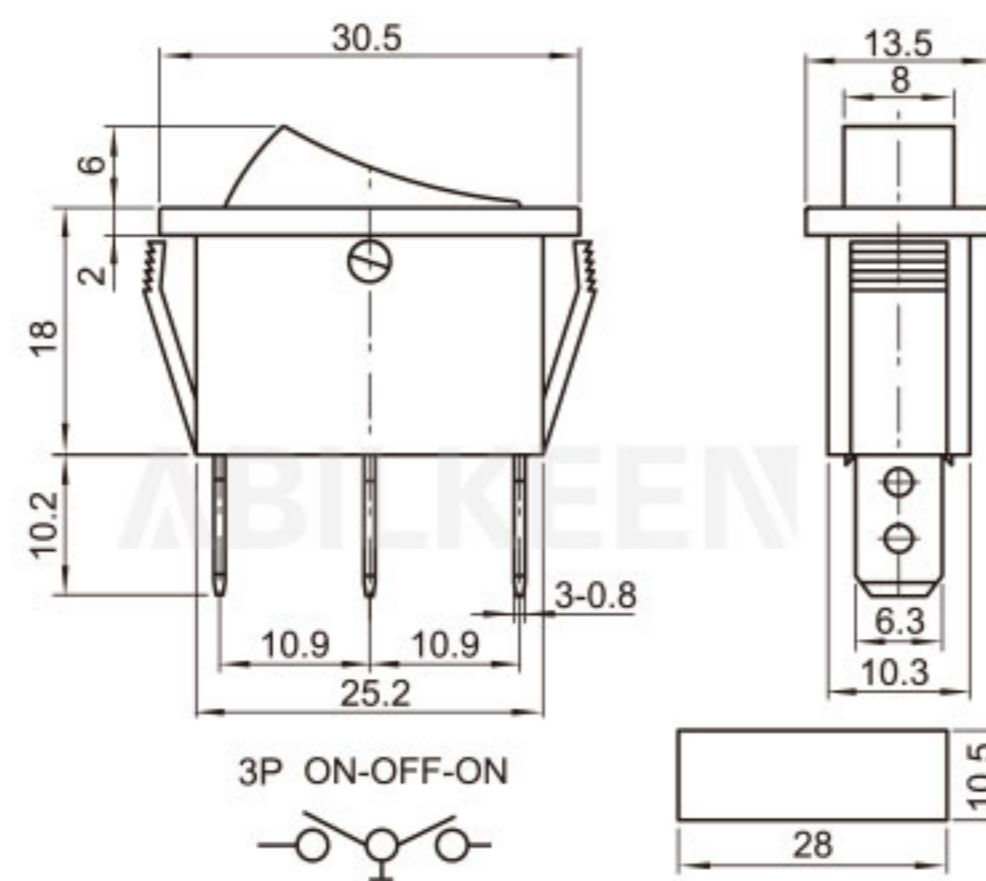
KCD3-101EN ON-OFF



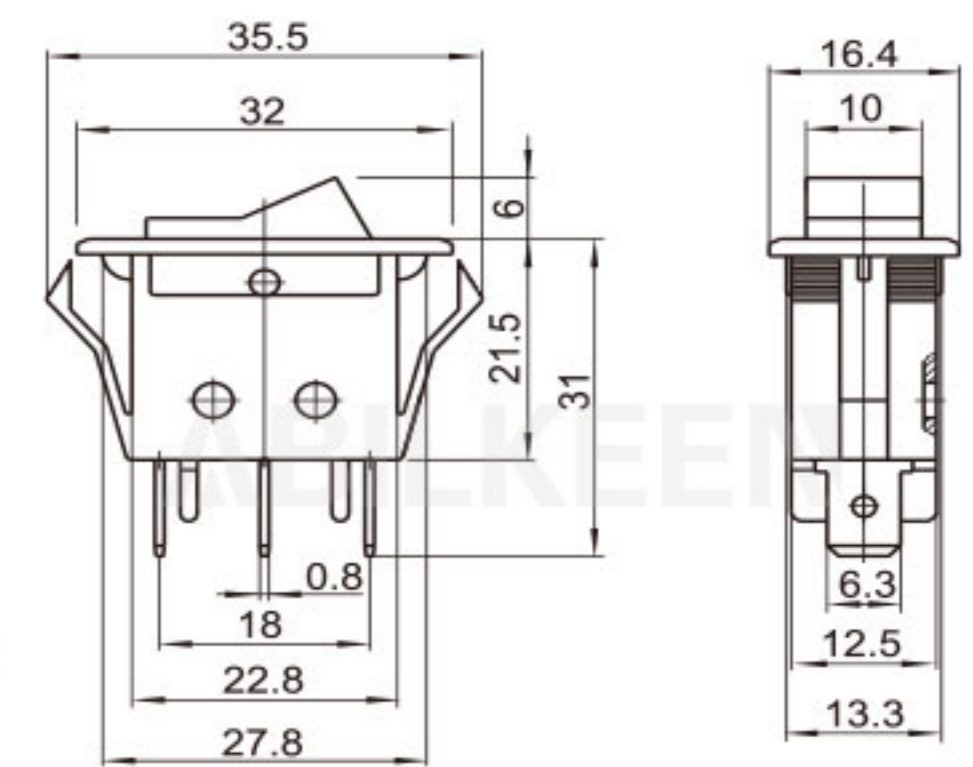
KCD3-102 ON-ON



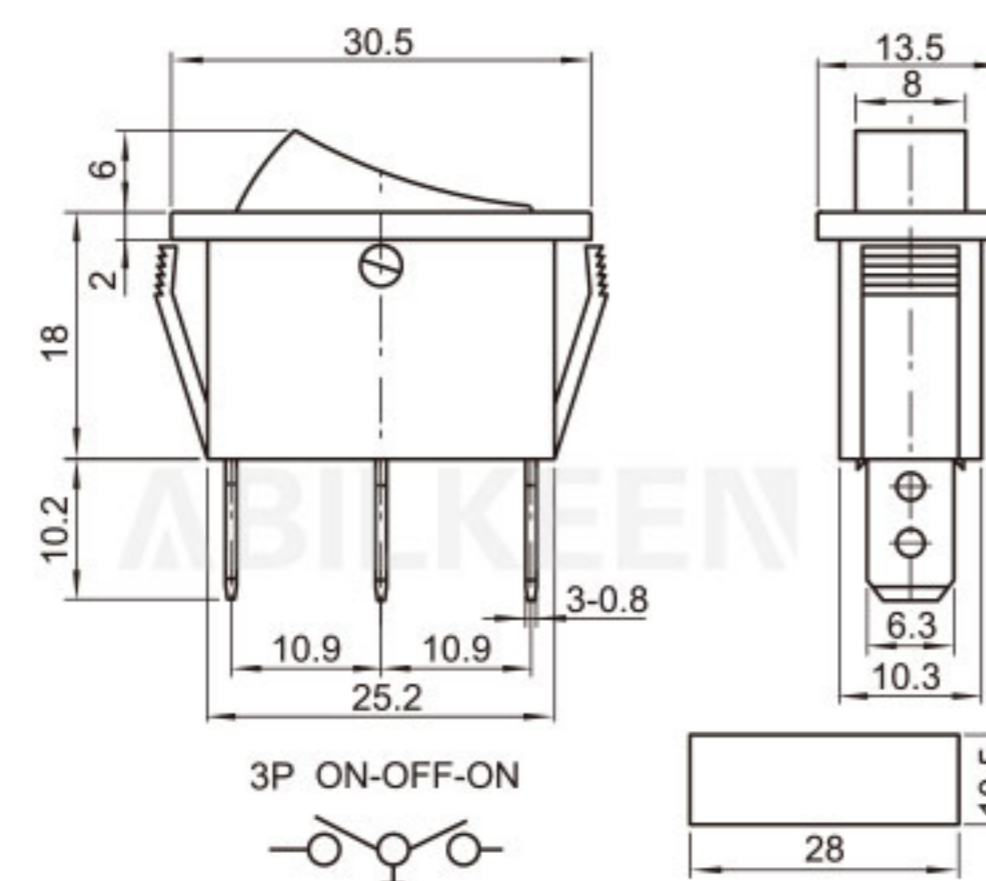
KCD3-102V-2 ON-ON  
KCD3-101V-2 ON-OFF  
KCD3-101NV-2 ON-OFF



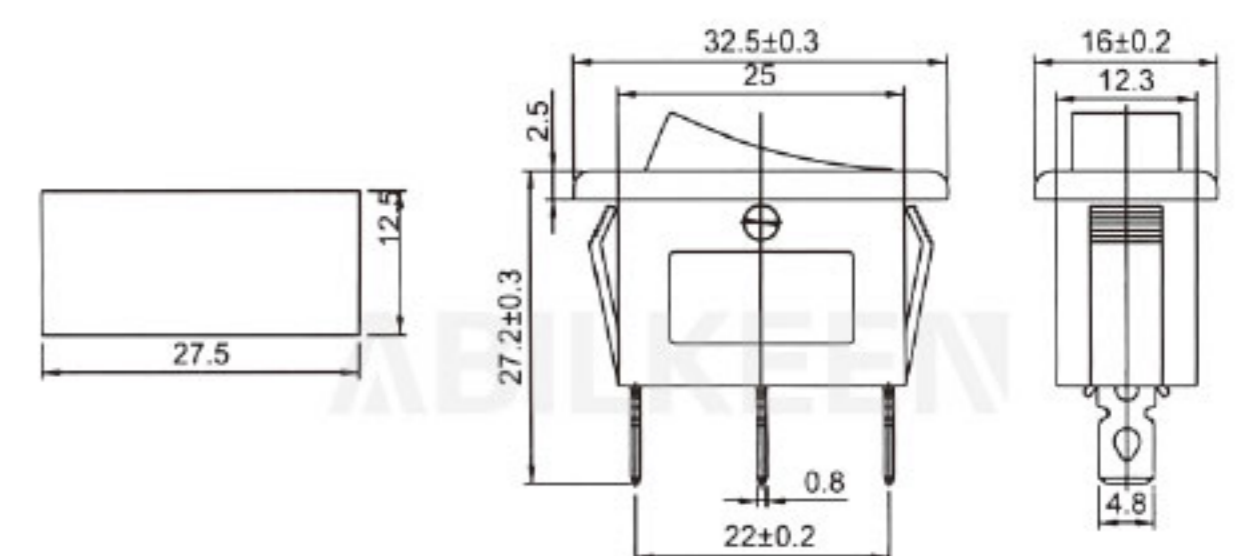
KCD3-103 ON-OFF-ON



KCD3-101C-2 ON-OFF  
KCD3-102C-2 ON-ON  
KCD3-101NC-2 ON-OFF



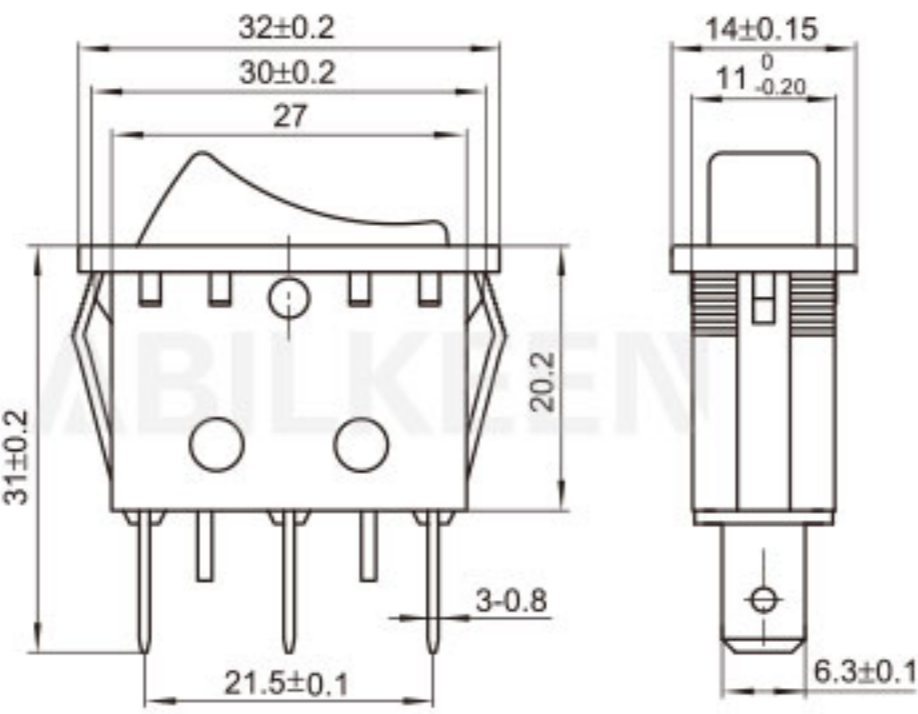
KCD3-101N ON-OFF



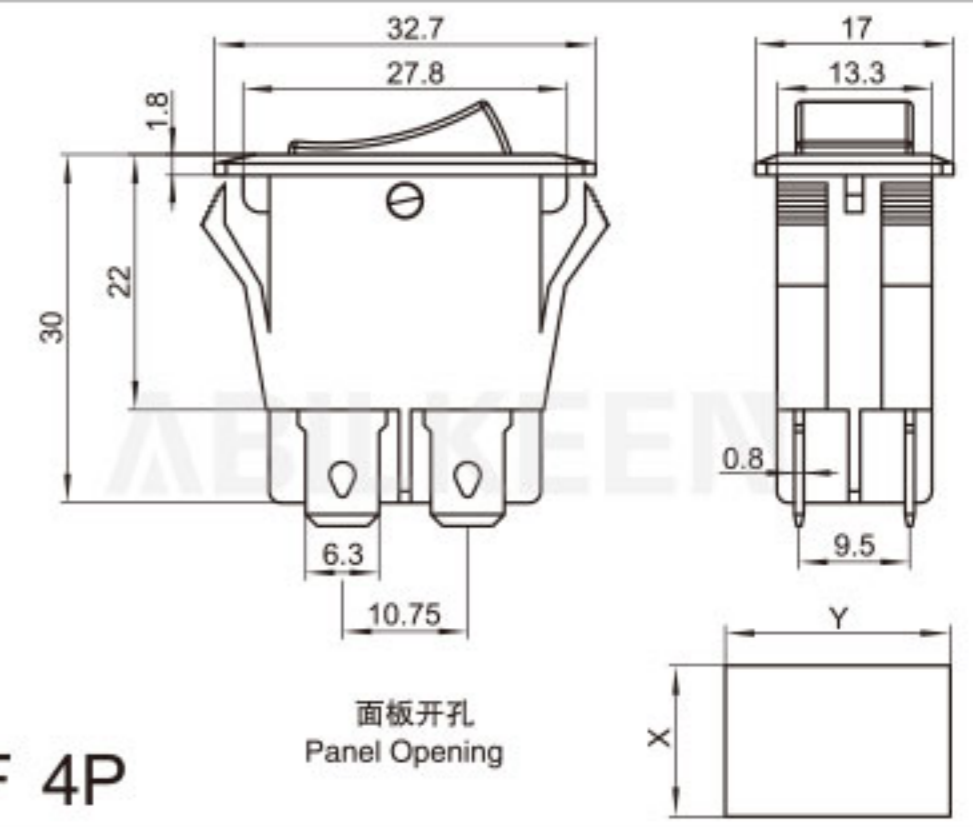
KCD3-101N-3 ON-OFF



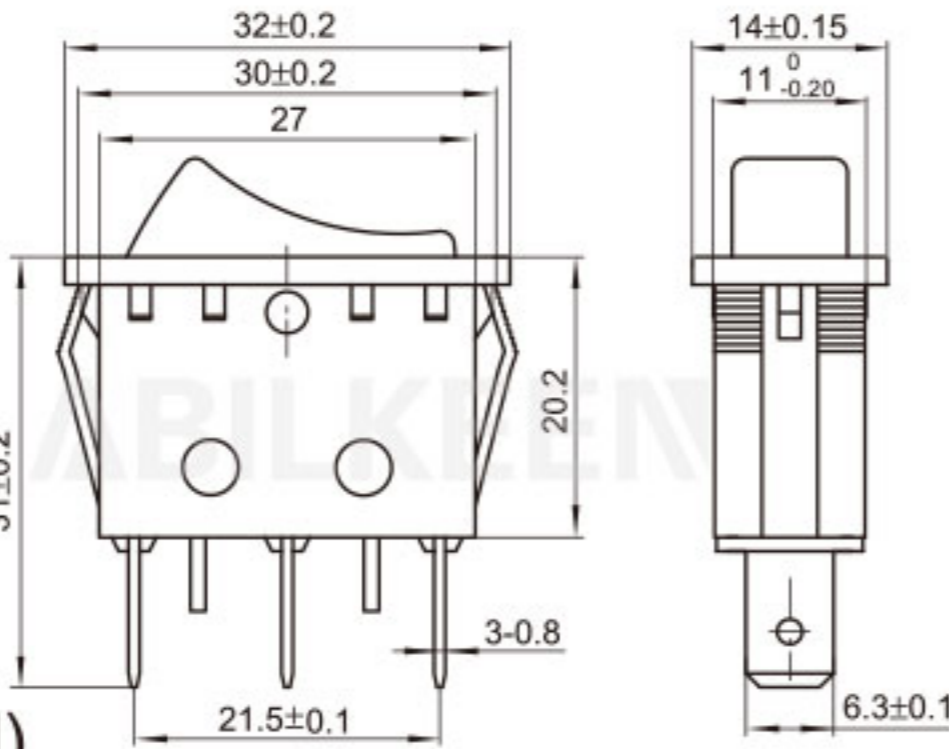
KCD3-101-4 ON-OFF  
KCD3-101N-4 ON-OFF



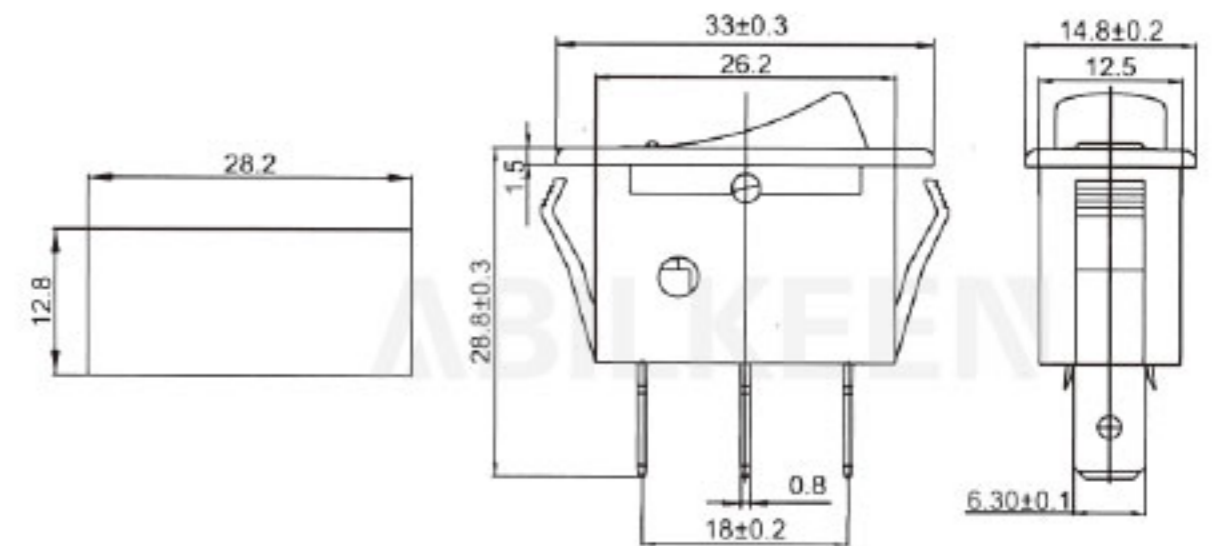
KCD3-201EN-11 ON-OFF 4P



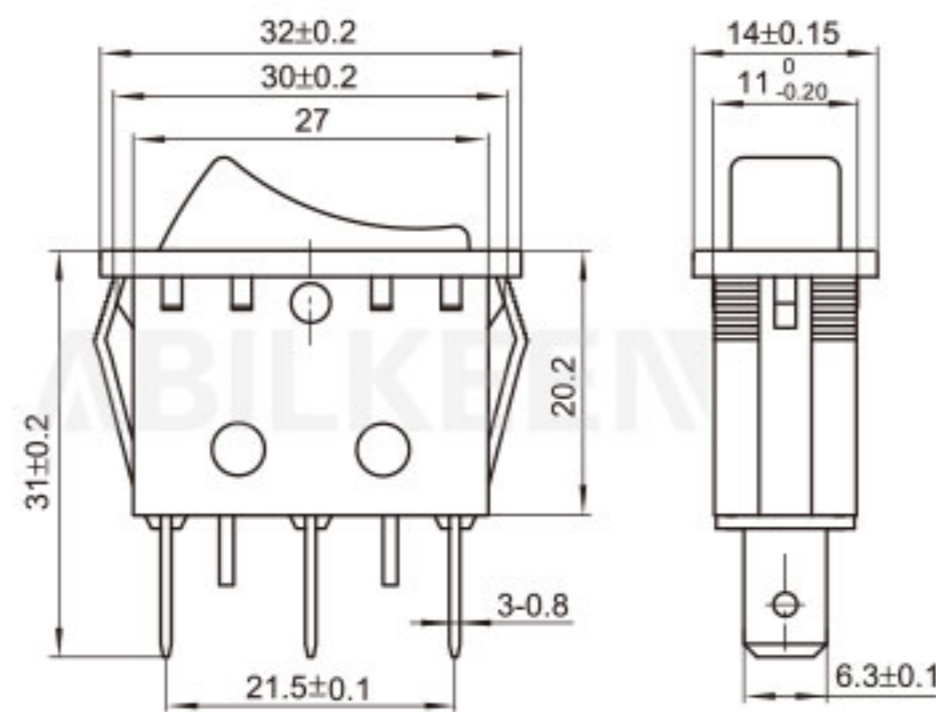
KCD3-103-4 ON-OFF-ON  
KCD3-123-4 (ON)-OFF-(ON)



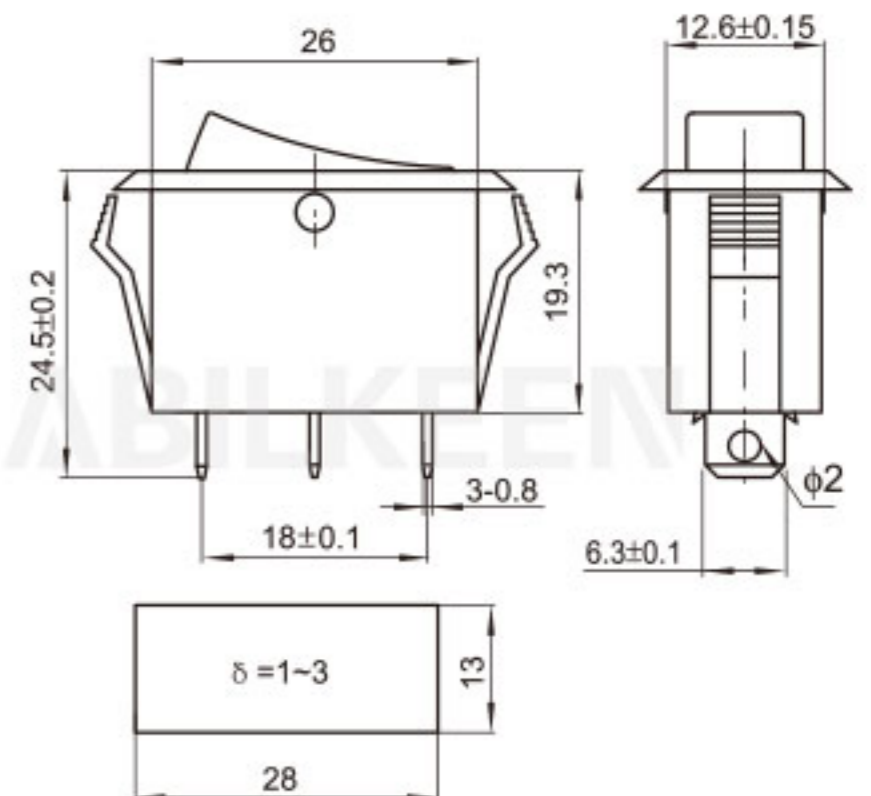
KCD3-101N-12 ON-OFF



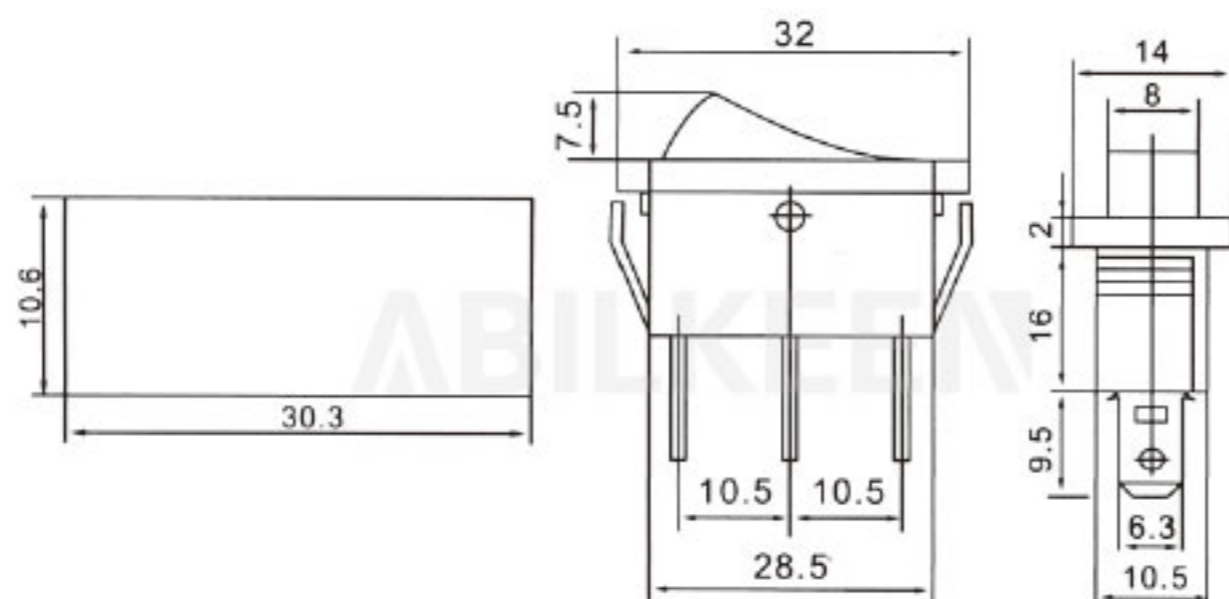
KCD3-101EN-4 ON-OFF



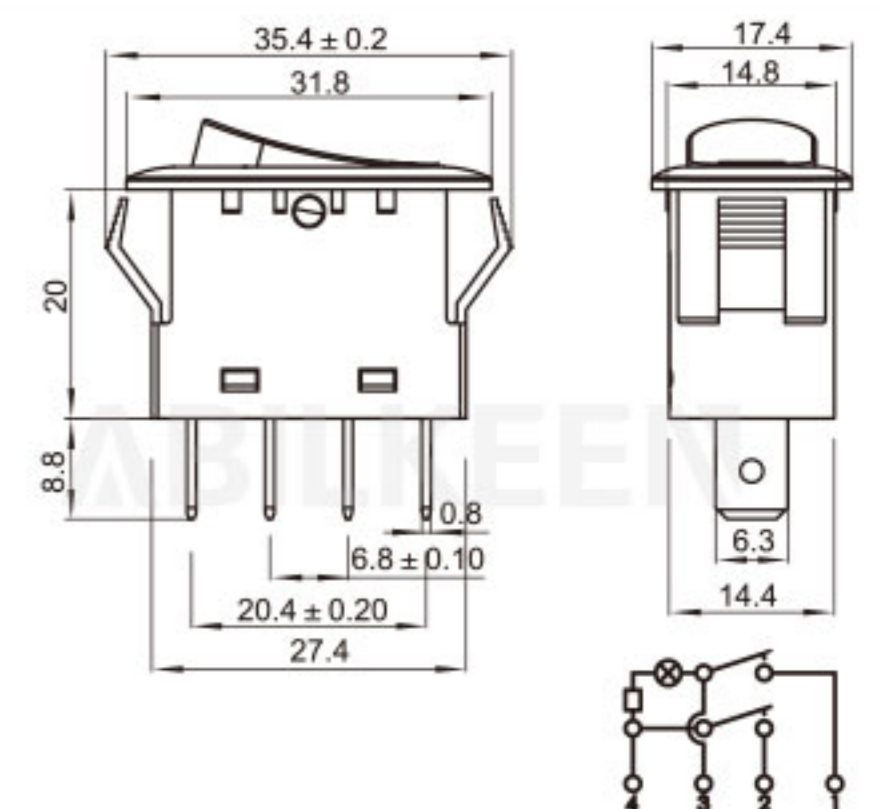
KCD3-101N-13 ON-OFF



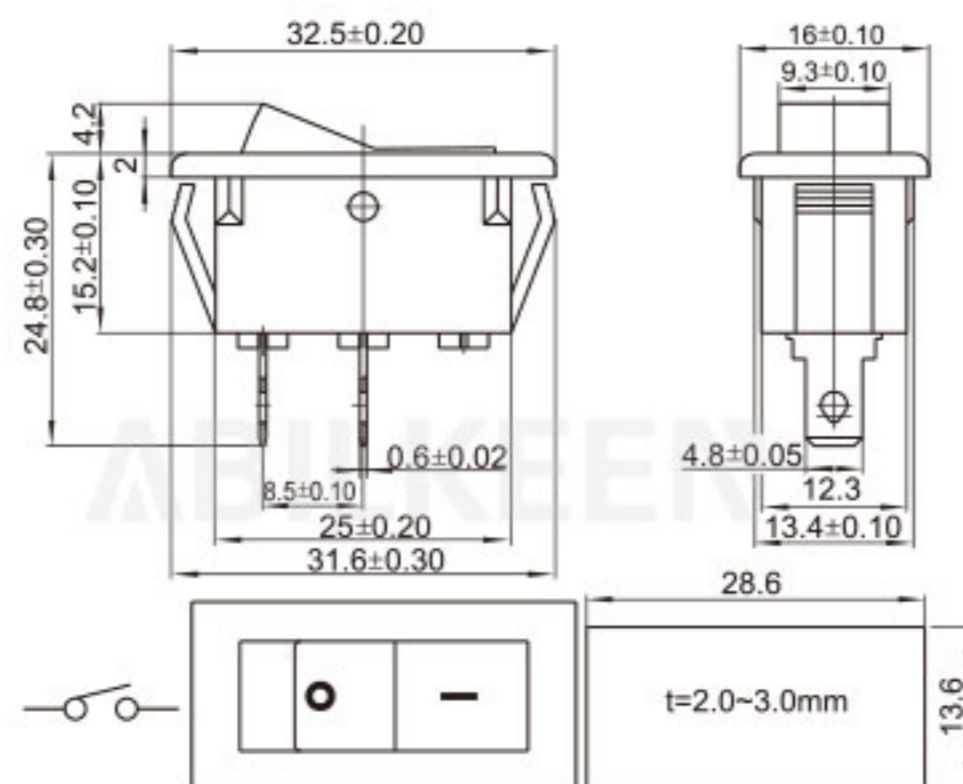
KCD3-101N-5 ON-OFF



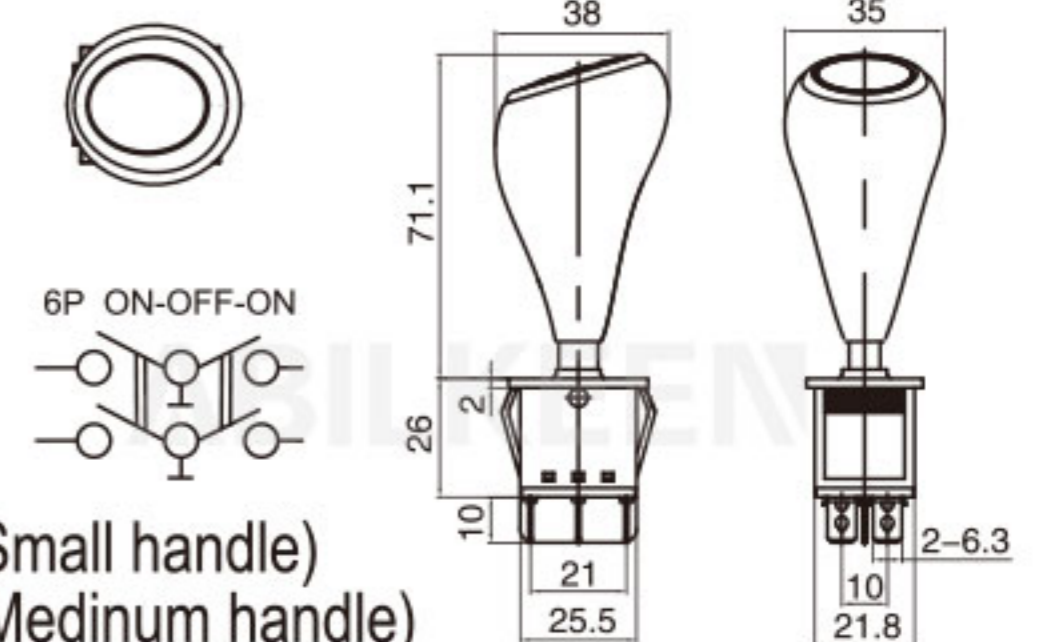
KCD3-201N-14 ON-OFF



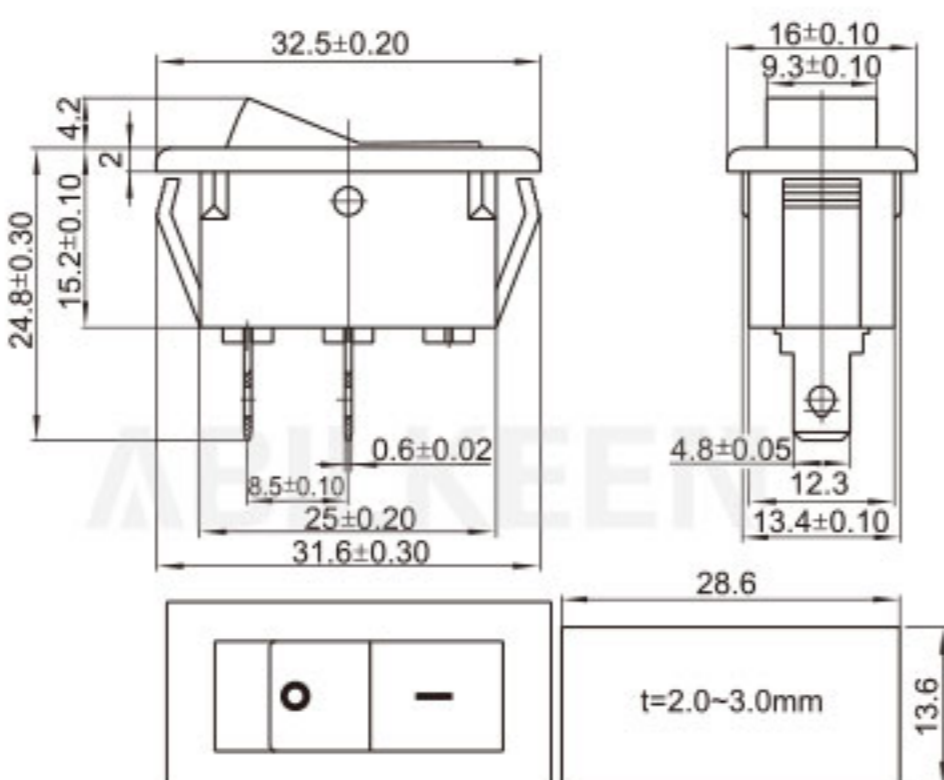
KCD6-101 ON-OFF



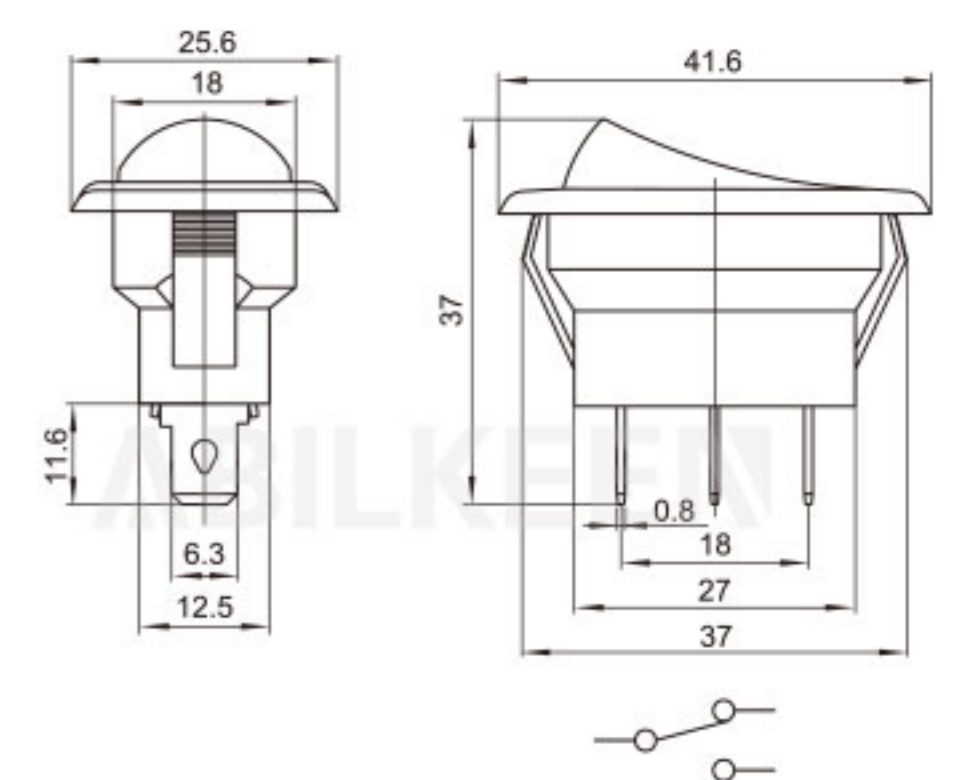
KCD3-203-18A ON-OFF (Small handle)  
KCD3-203-18B ON-OFF (Medium handle)  
KCD3-203-18C ON-OFF (Big handle)



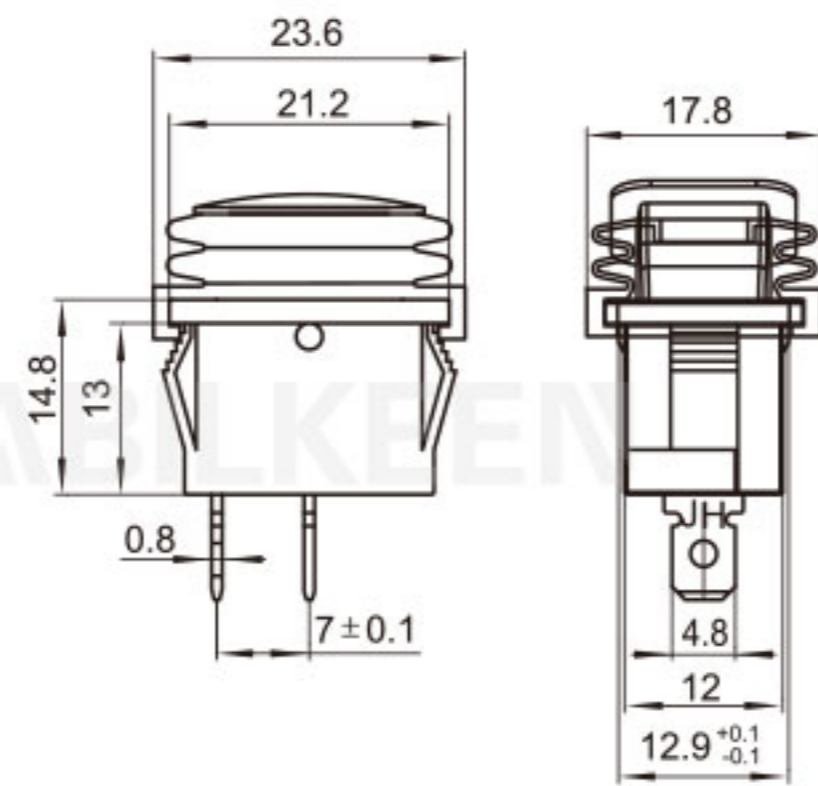
KCD3-101-8 ON-OFF  
KCD3-102-8 ON-ON



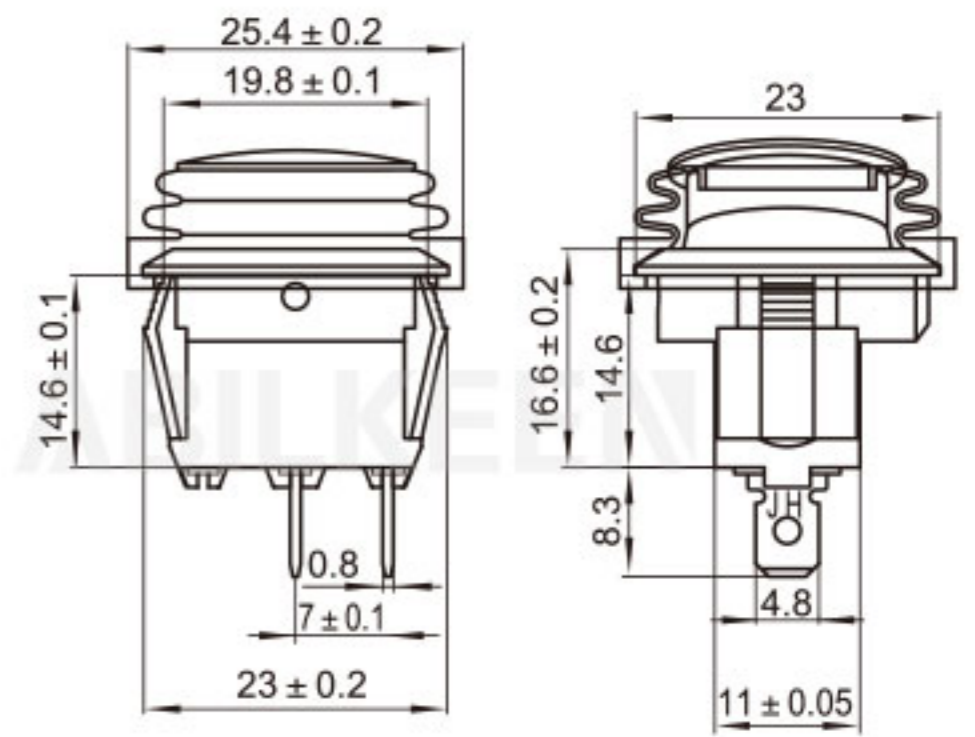
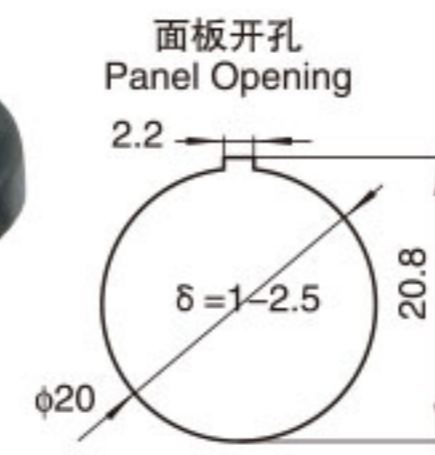
KCD4-102 ON-OFF



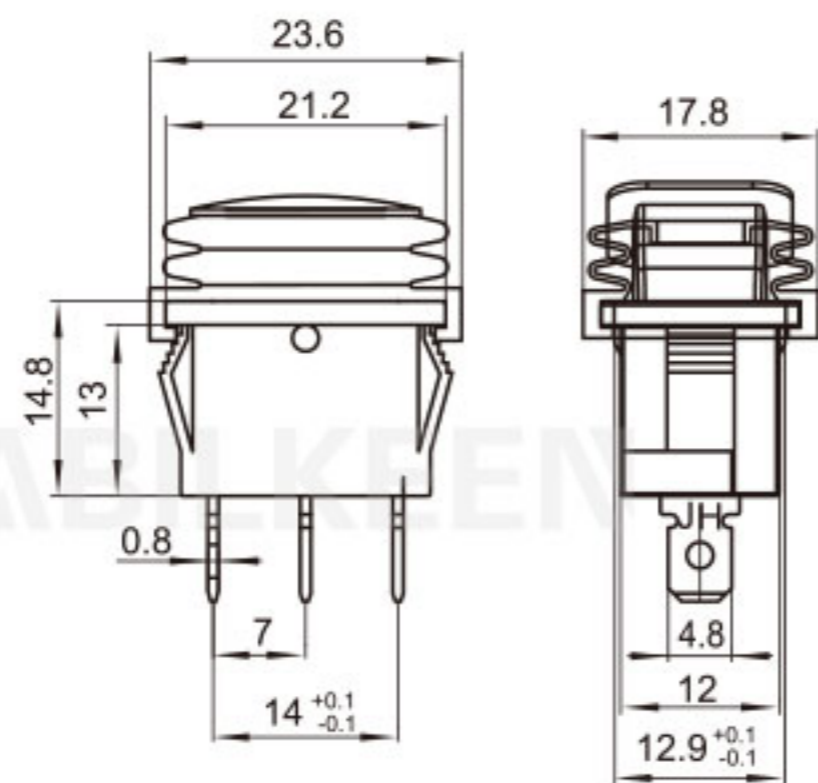




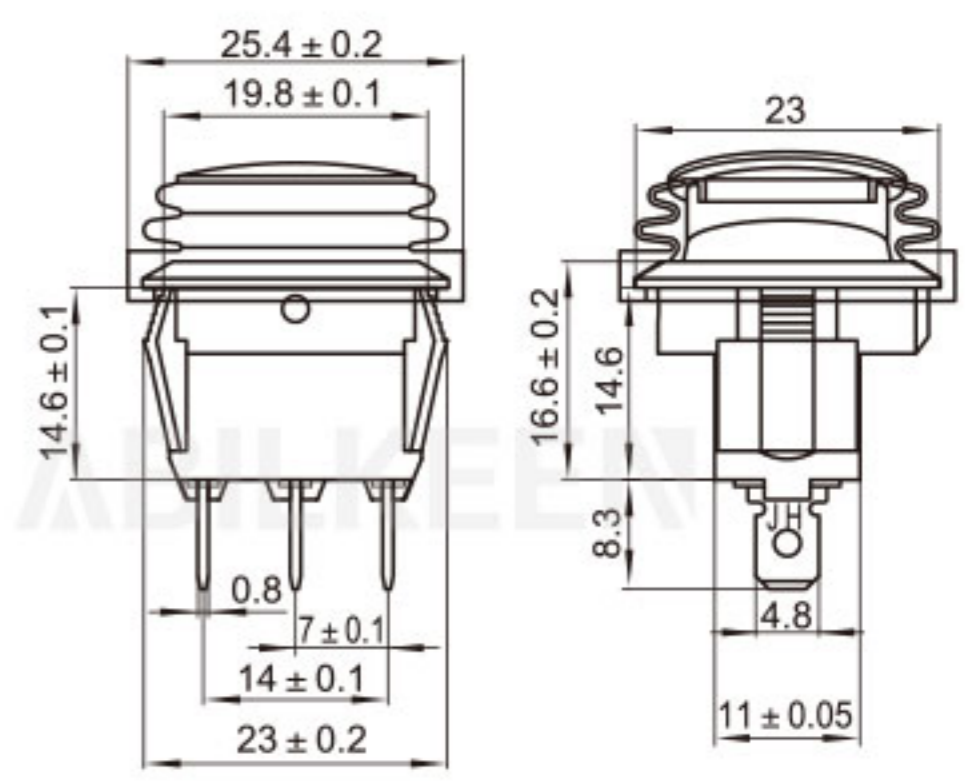
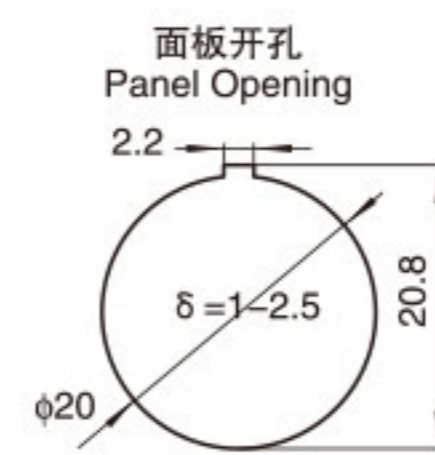
KCD1-101W-2 ON-OFF



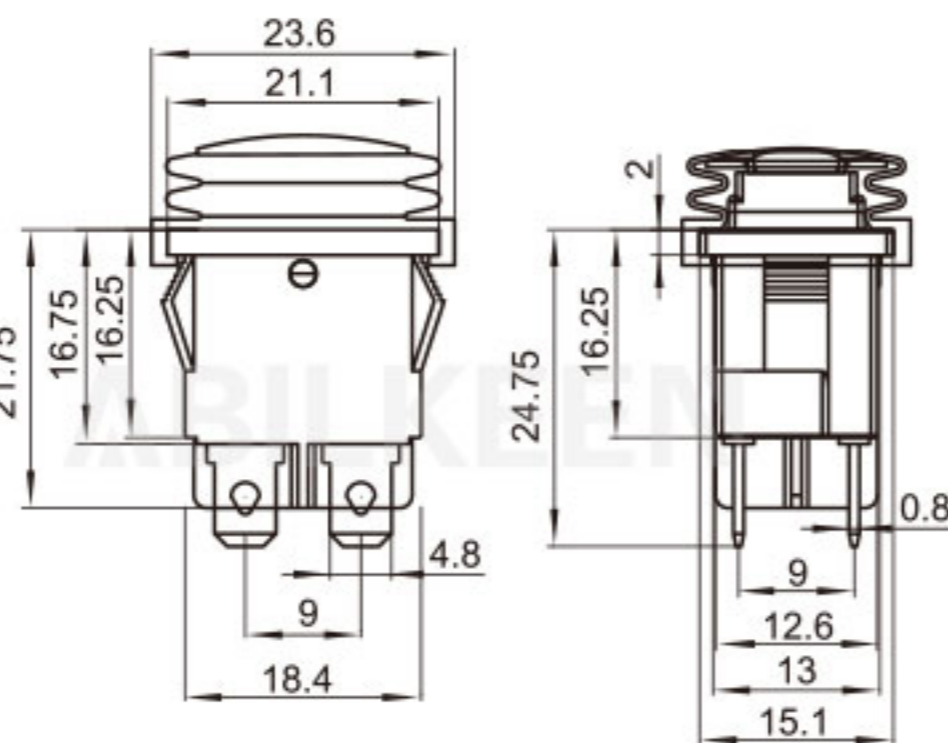
KCD1-101W-8 ON-OFF



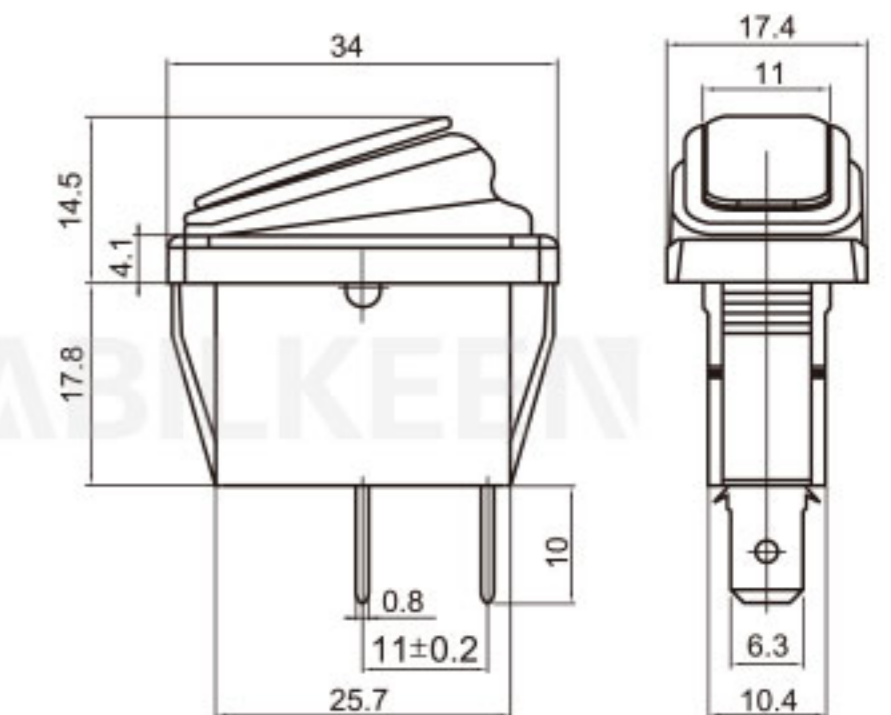
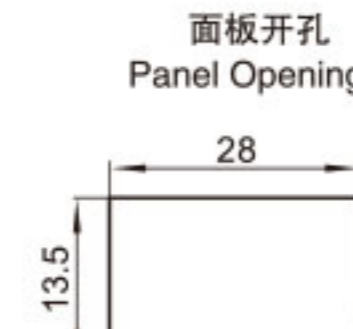
KCD1-101NW-2 ON-OFF  
KCD1-102W-2 ON-ON  
KCD1-103W-2 ON-OFF-ON



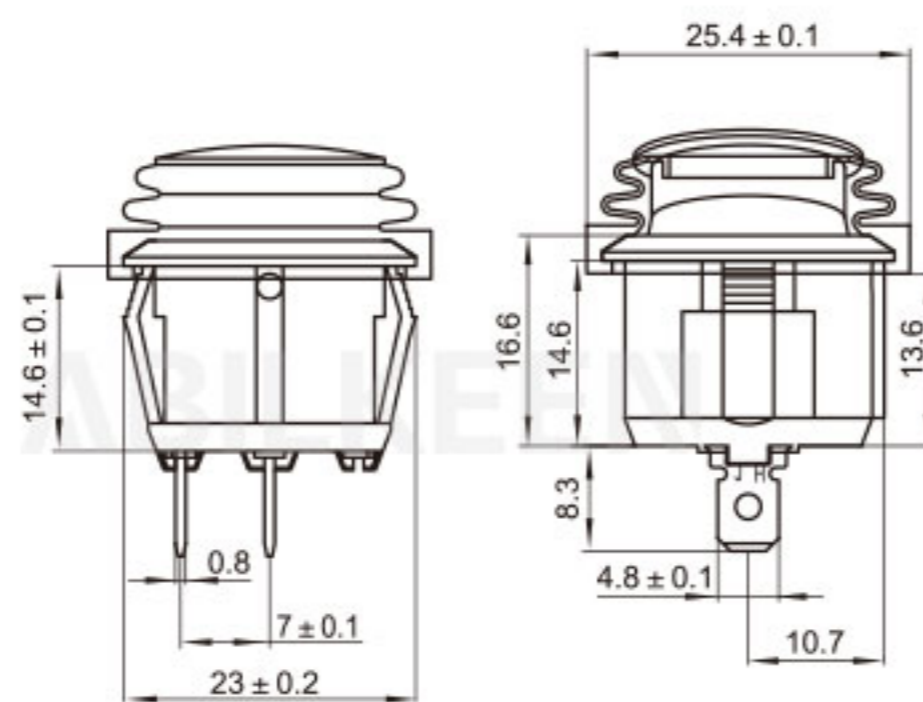
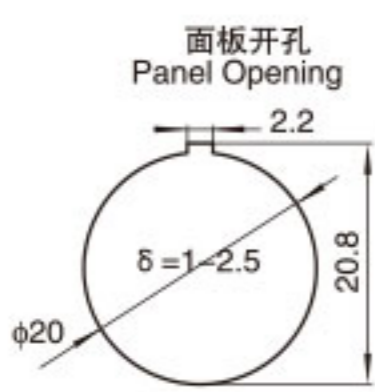
KCD1-101NW-8 ON-OFF  
KCD1-102W-8 ON-ON  
KCD1-103W-8 ON-OFF-ON



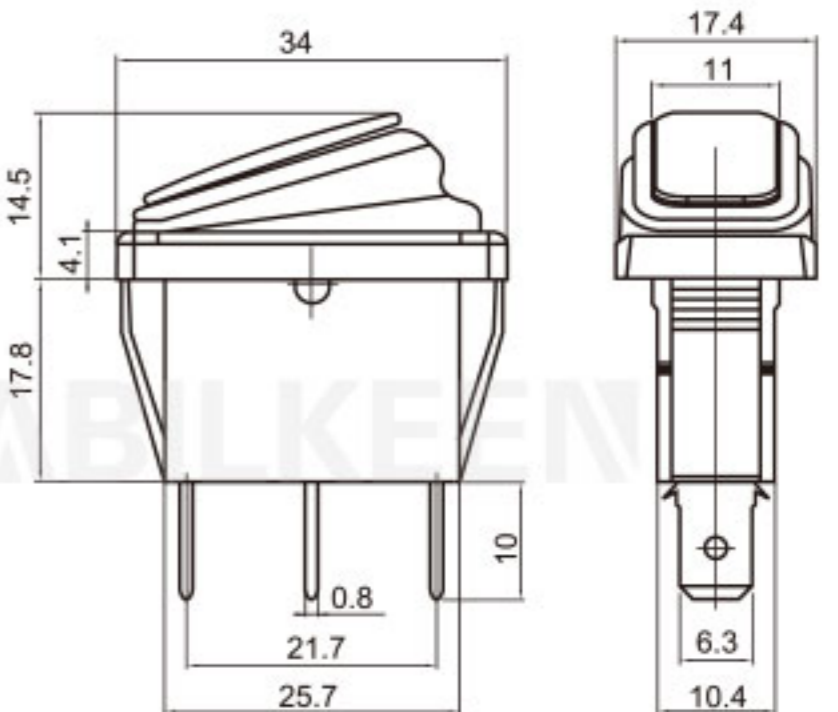
KCD1-201W-4 ON-OFF  
KCD1-201NW-4 ON-OFF



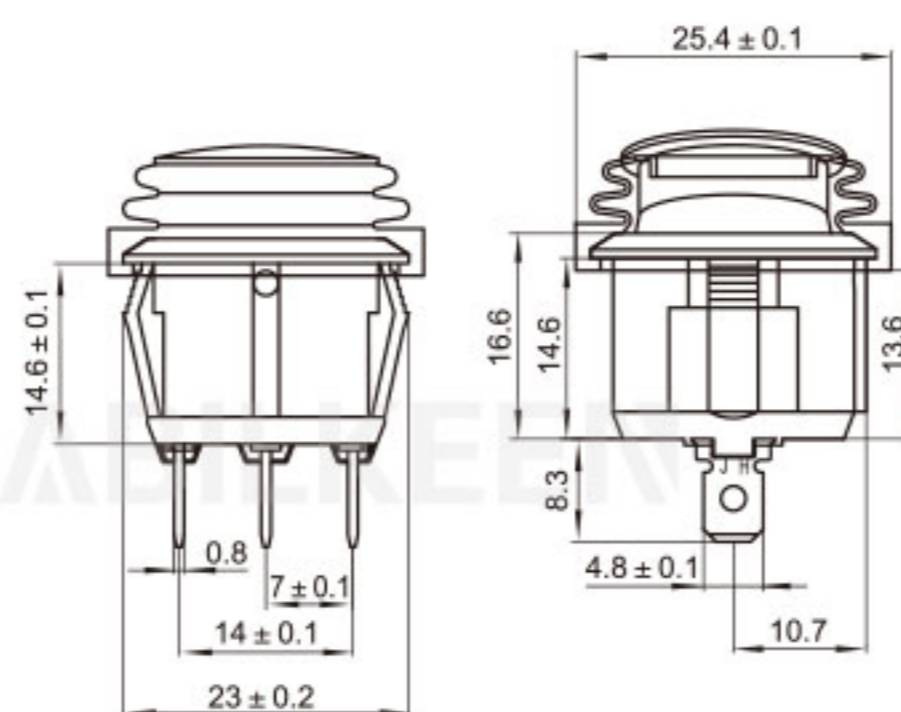
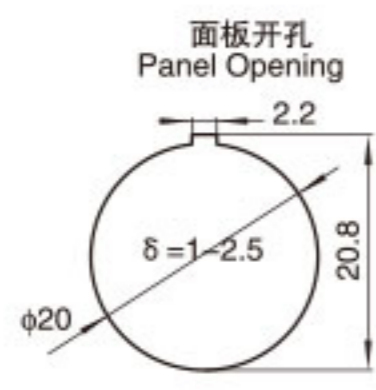
KCD3-101W ON-OFF



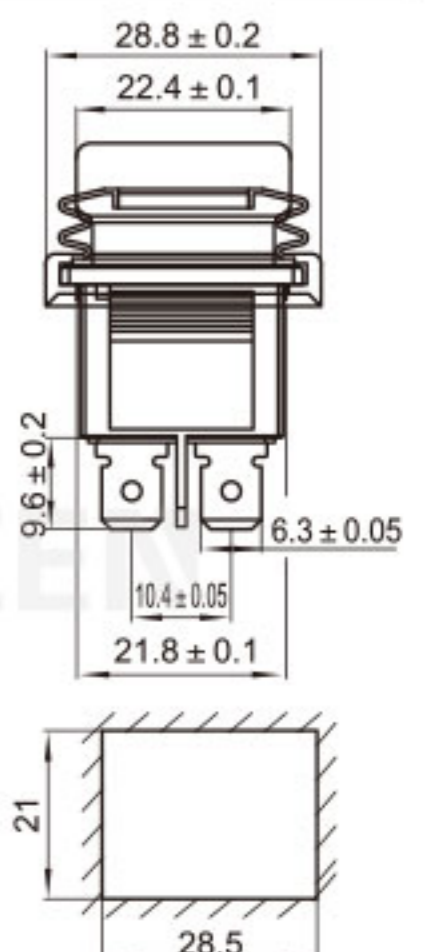
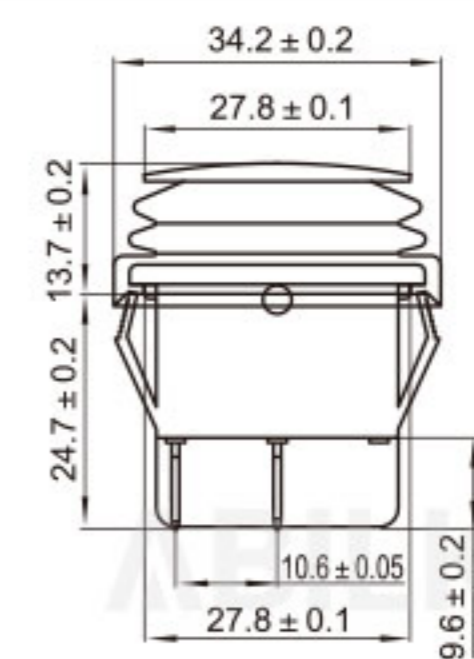
KCD1-101W-5 ON-OFF



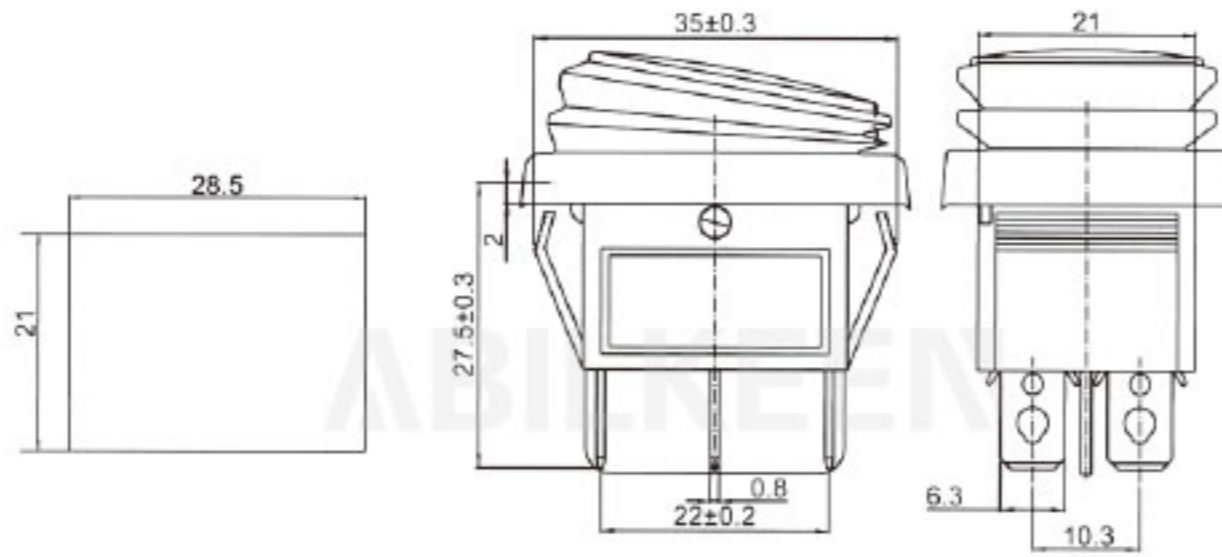
KCD3-101NW ON-OFF  
KCD3-102W ON-ON  
KCD3-103W ON-OFF-ON



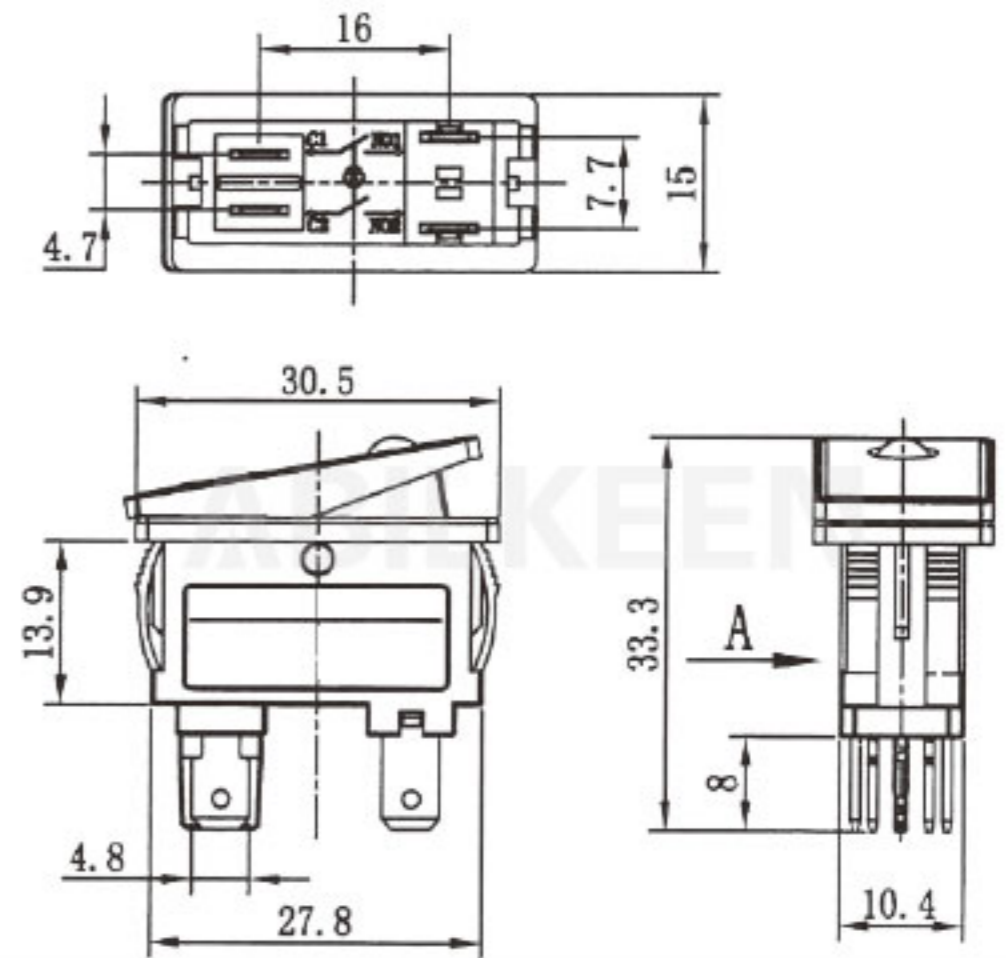
KCD1-101NW-5 ON-OFF  
KCD1-102W-5 ON-ON  
KCD1-103W-5 ON-OFF-ON



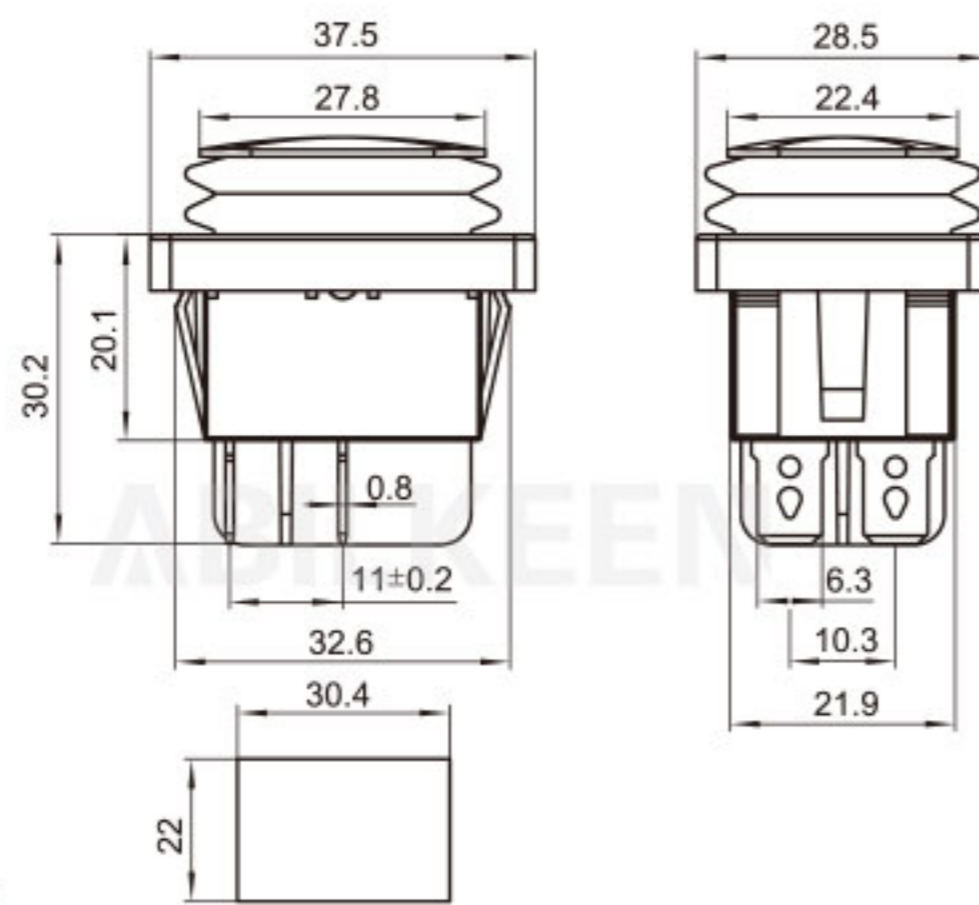
KCD2-201W ON-OFF  
KCD2-201NW ON-OFF



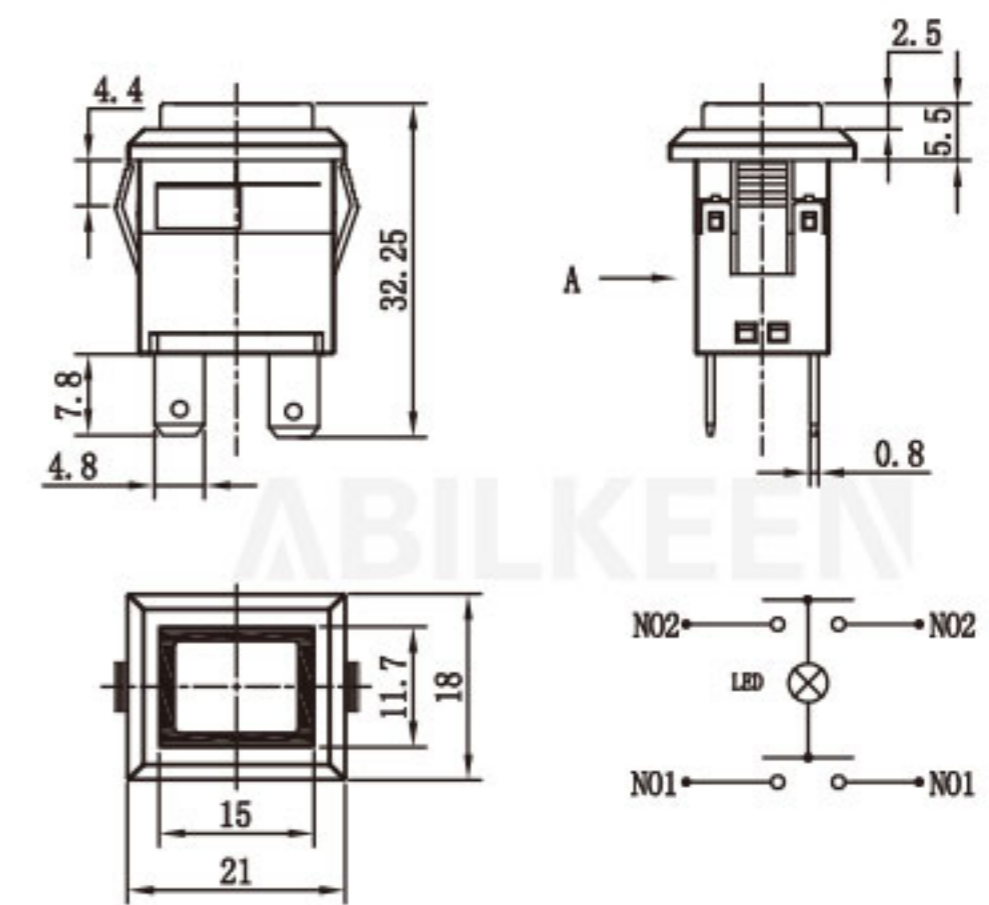
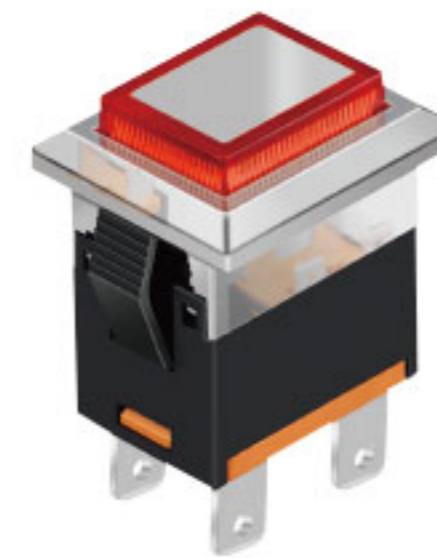
KCD2-202W ON-OFF KCD2-203W ON-OFF-ON  
KCD2-202NW ON-ON KCD2-203NW ON-OFF-ON



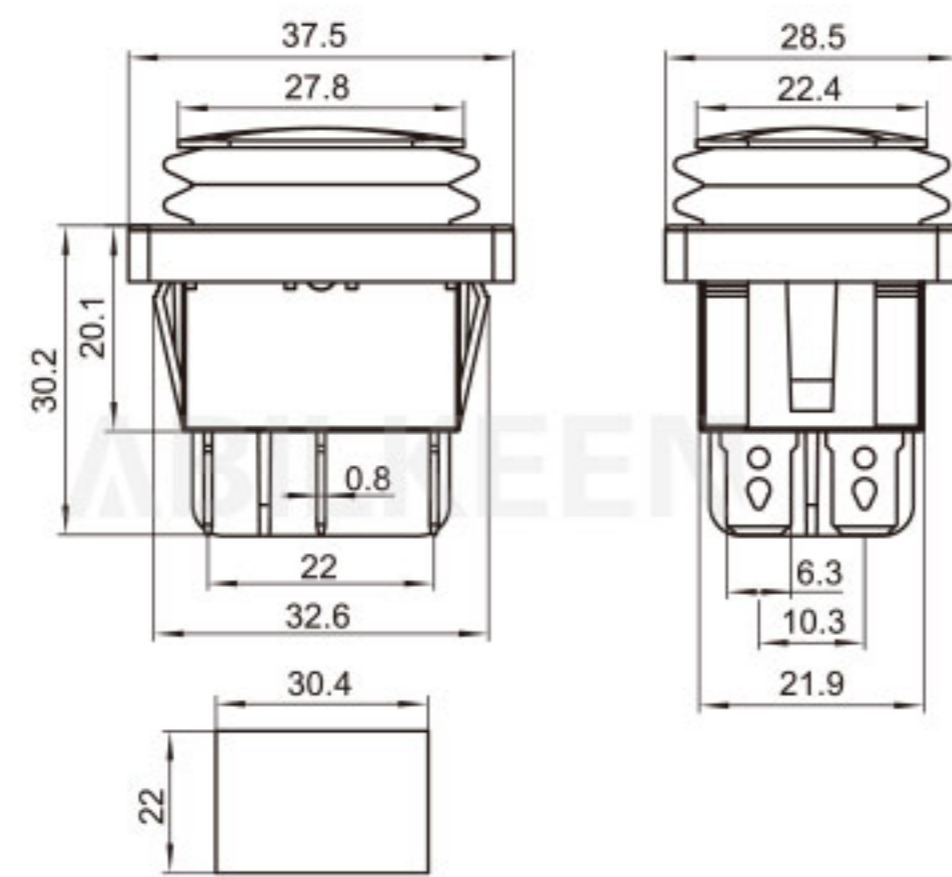
IP65  
IB28L-01M



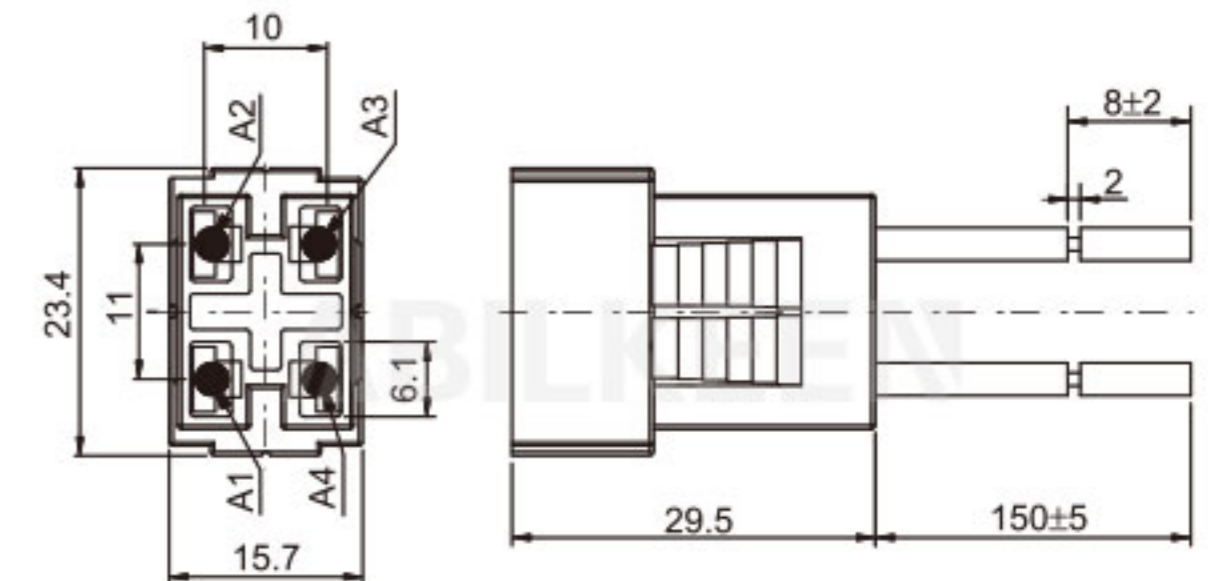
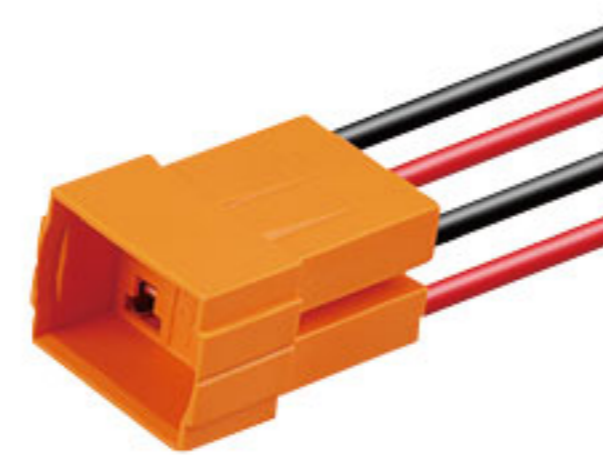
KCD2-201W-2 ON-OFF  
KCD2-201NW-2 ON-OFF



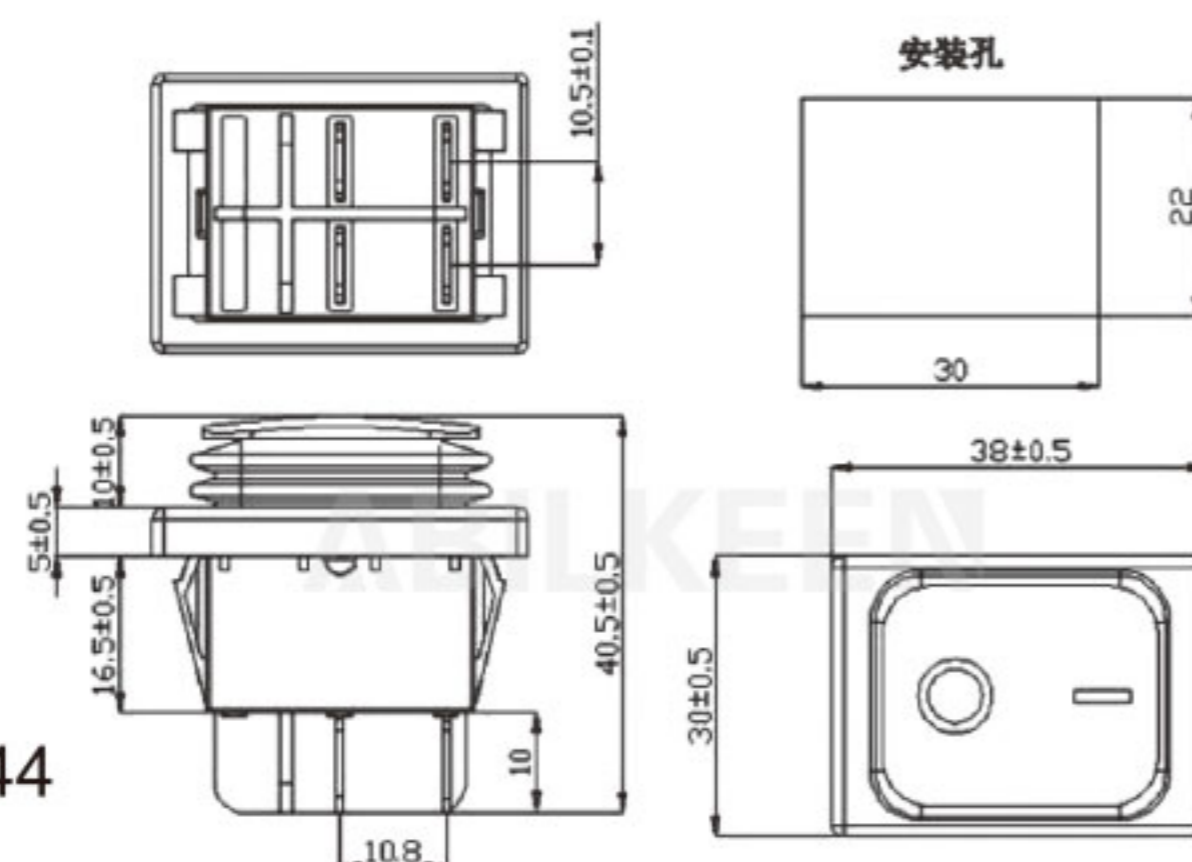
IP65  
IB19K-01M



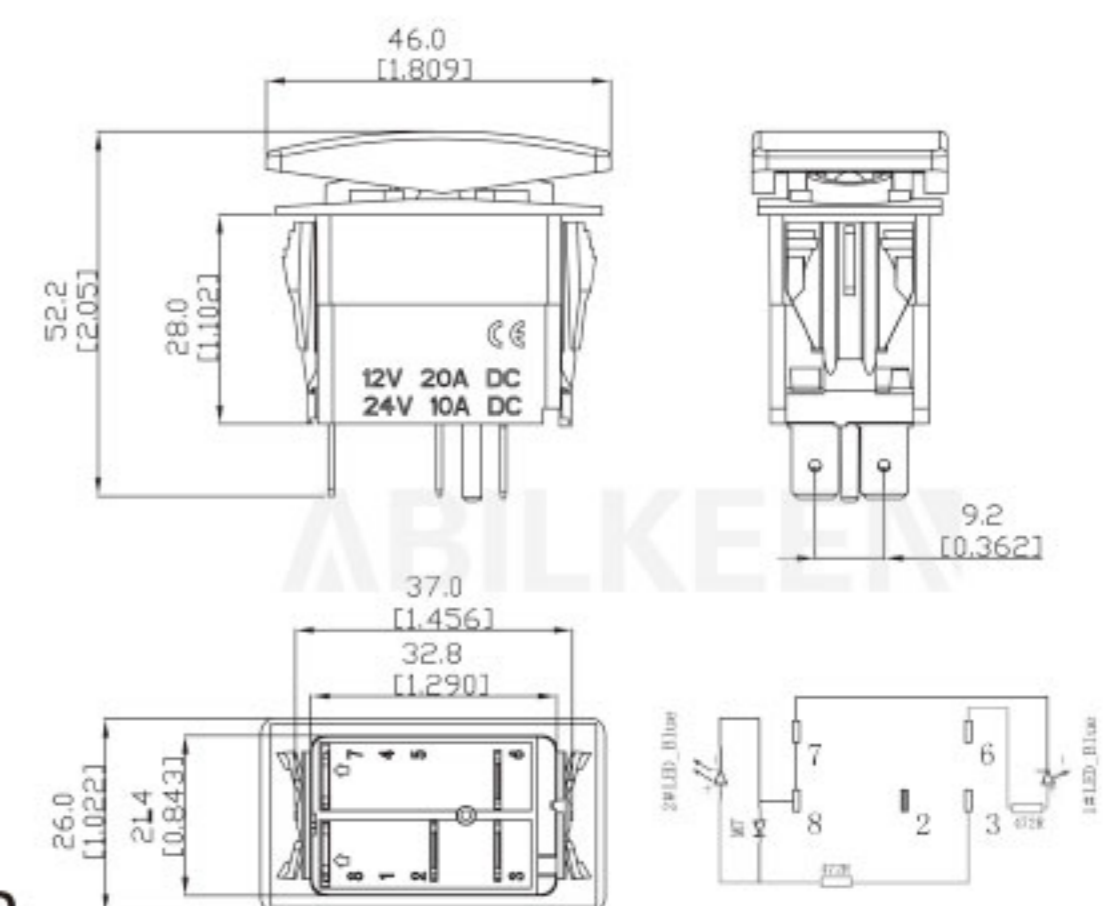
KCD2-202W-2 ON-ON  
KCD2-202NW-2 ON-ON



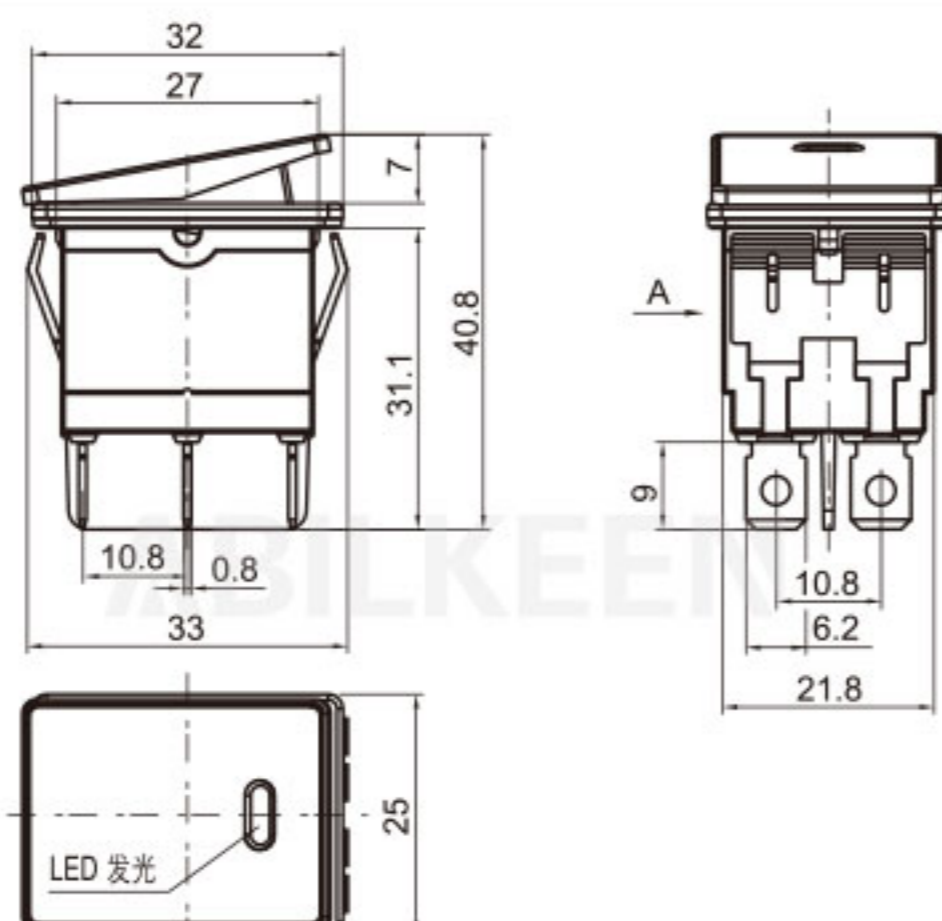
IB19K-01H(For IB19K-01M)



IP67/44  
KCD2-201NWX-2M ON-OFF



IB-A11633AR/5P  
SPST ON-OFF 5P

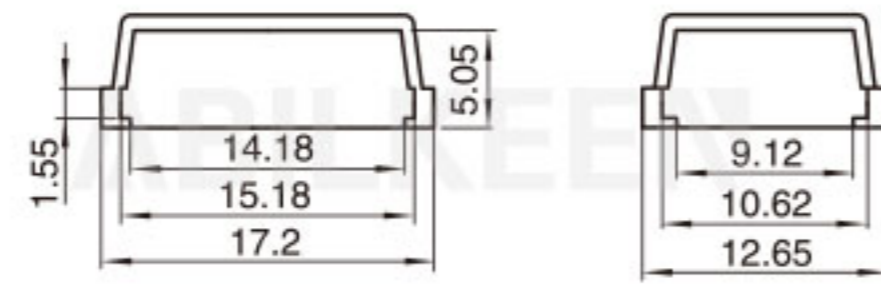


IP65  
IB28K-01M

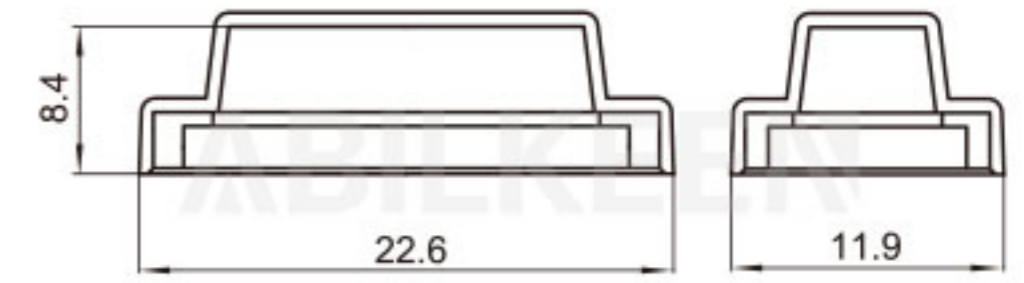


IB-P301 Switch panel

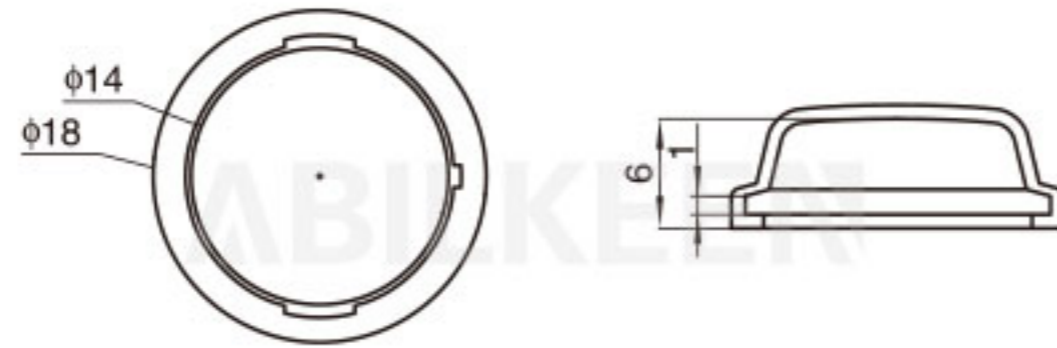
IB-P802 Switch panel



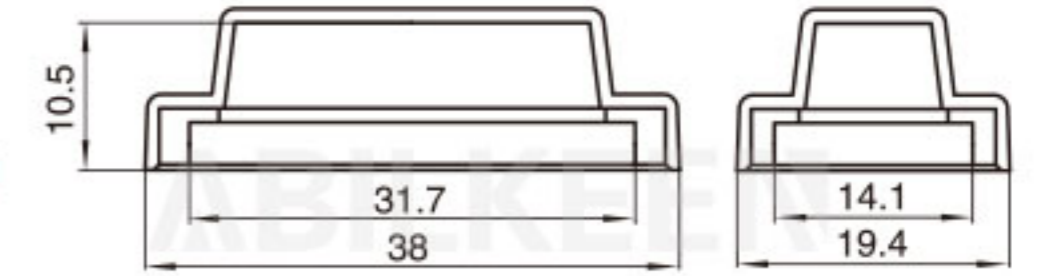
WPC-KCD5-01



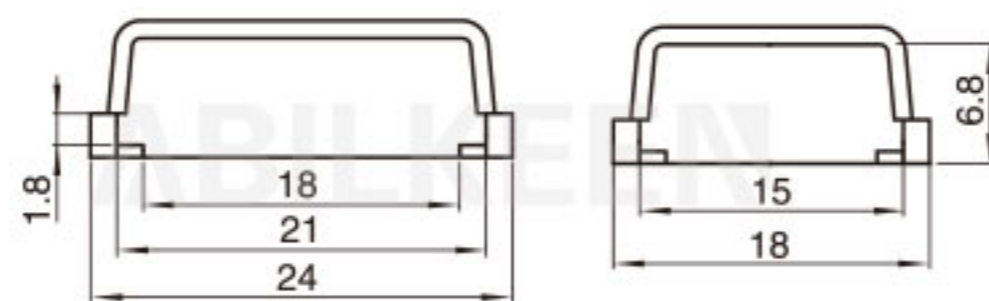
WPC-KCD1-05



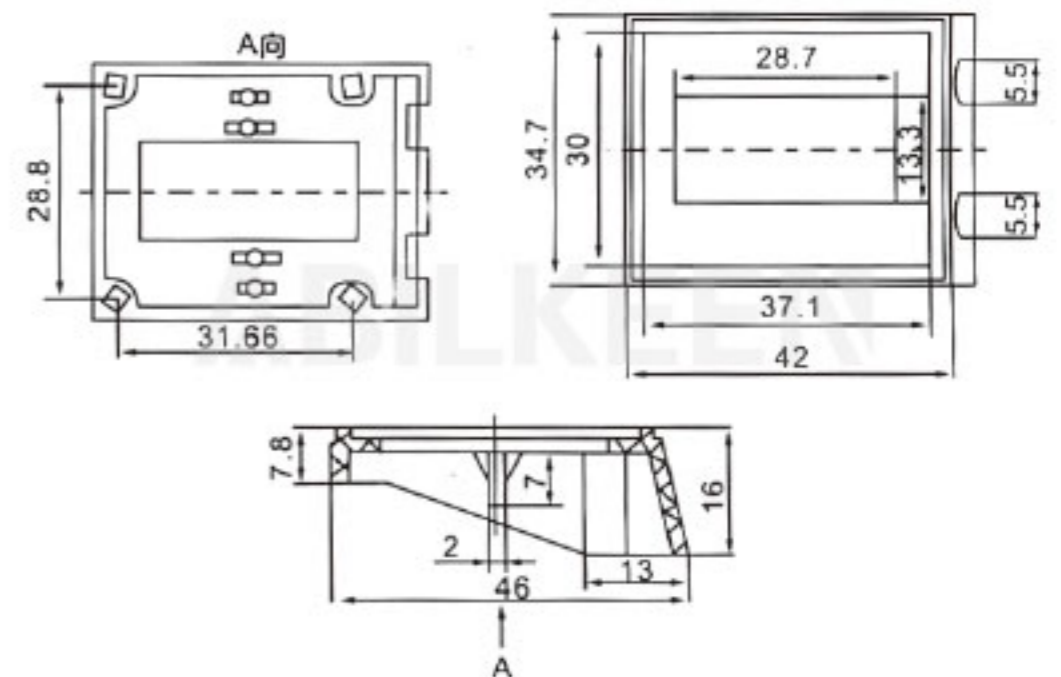
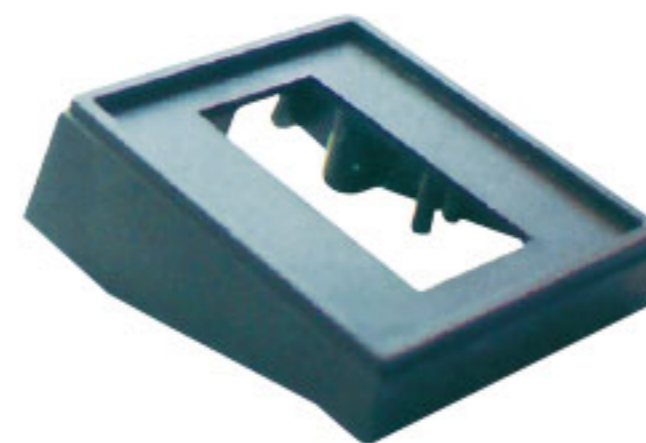
WPC-KCD5-02



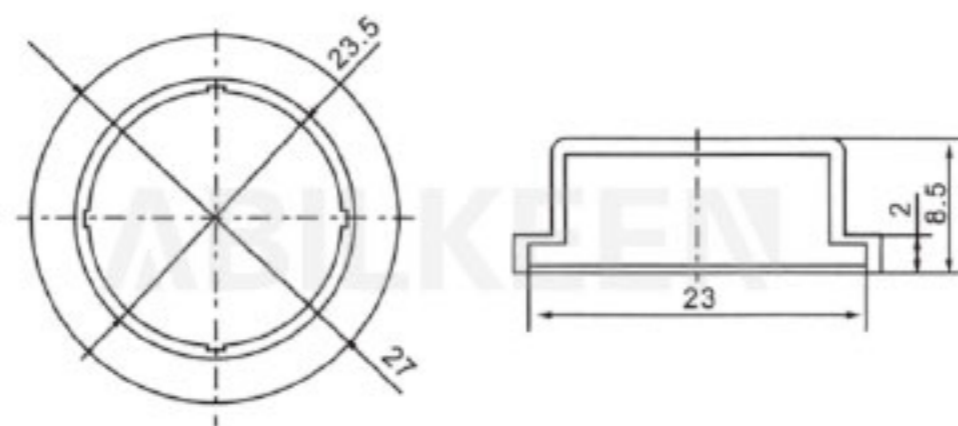
WPC-KCD3-01



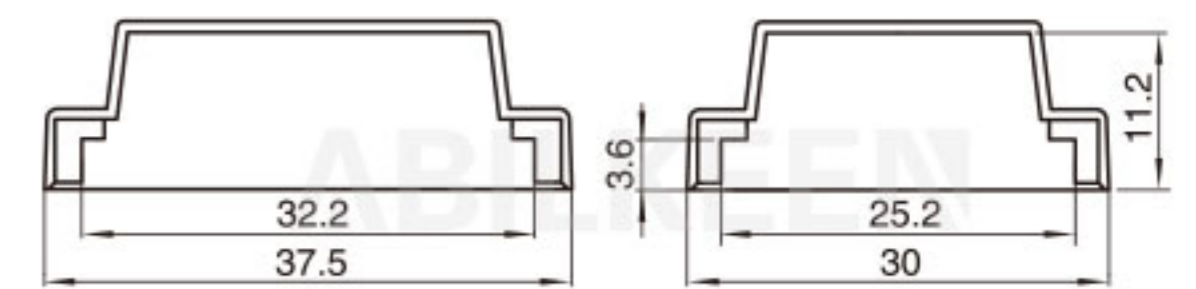
WPC-KCD1-01



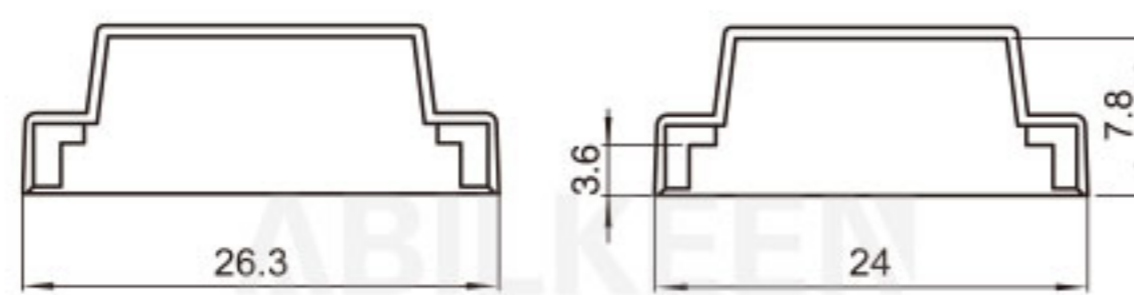
IBH-KCD3-01



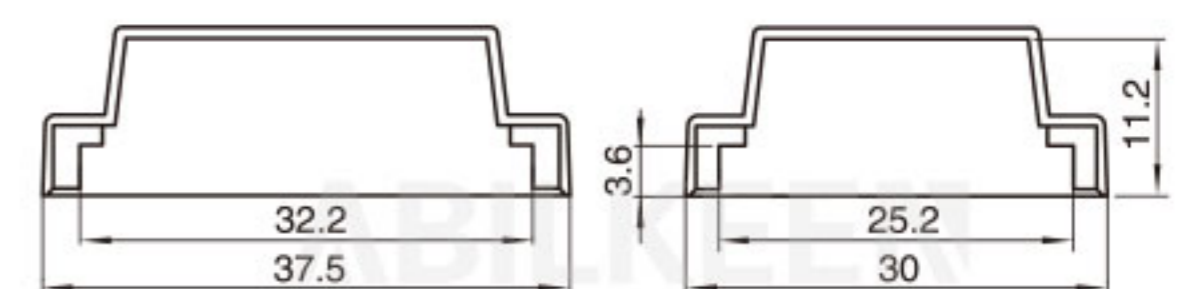
WPC-KCD1-02



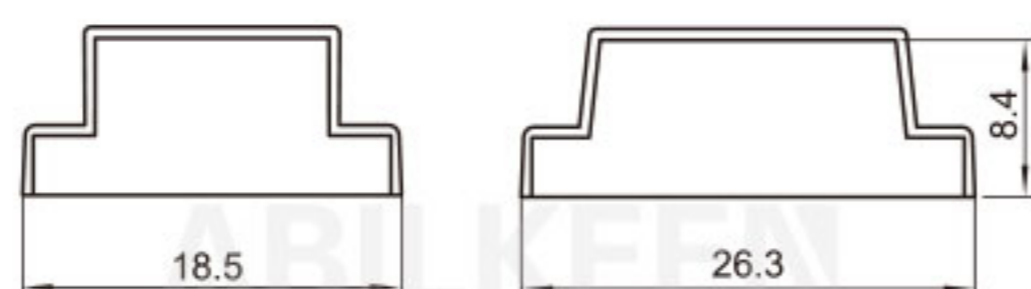
WPC-KCD2-01



WPC-KCD1-03



WPC-KCD2-02



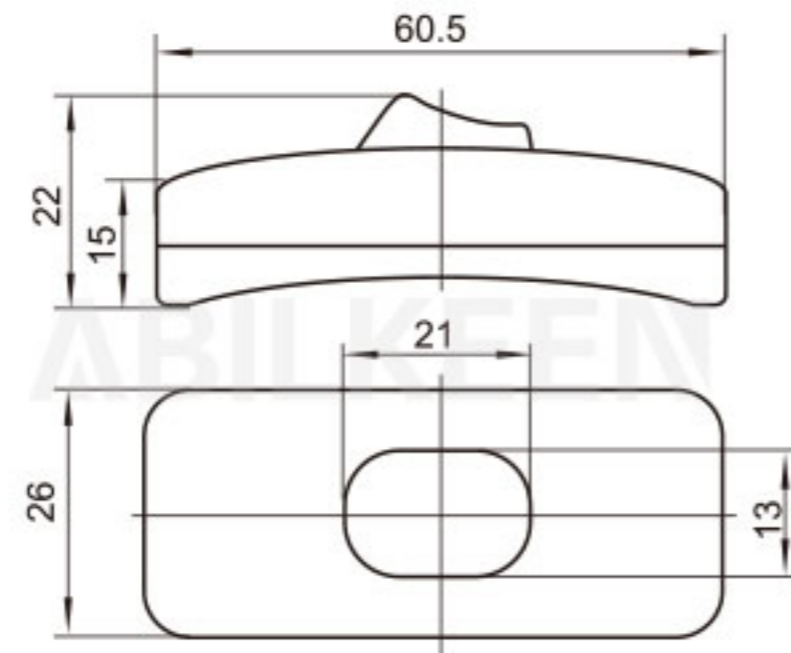
WPC-KCD1-04



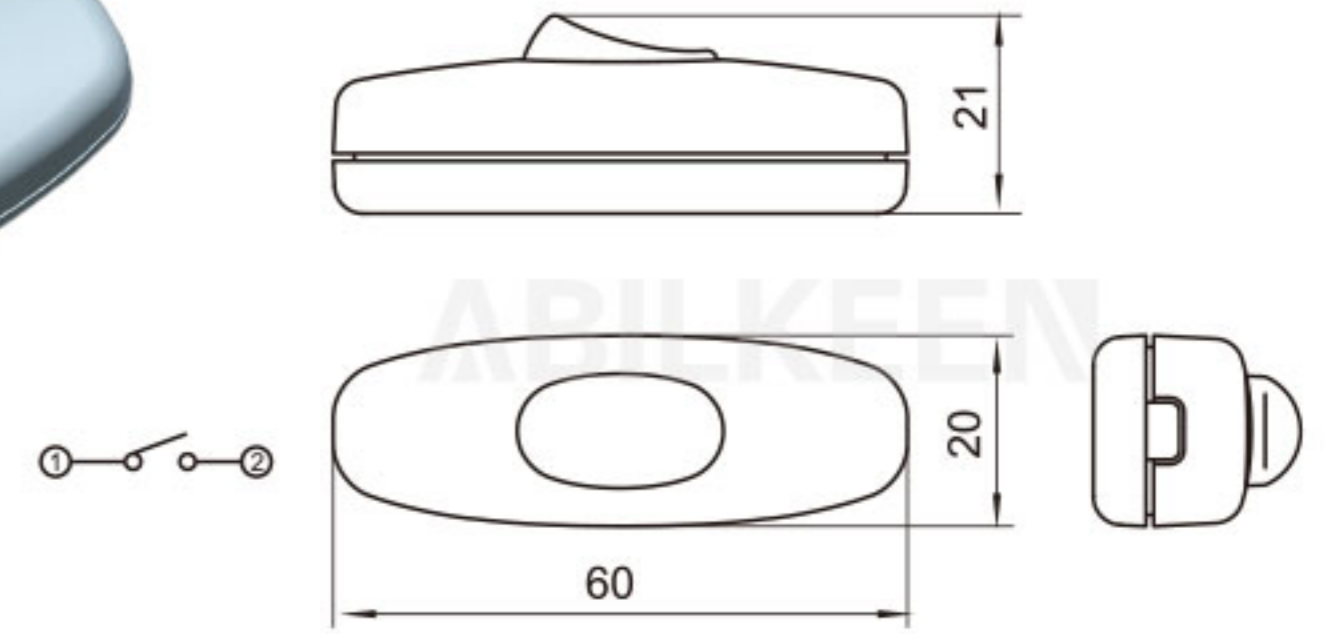
IB-WPC-1



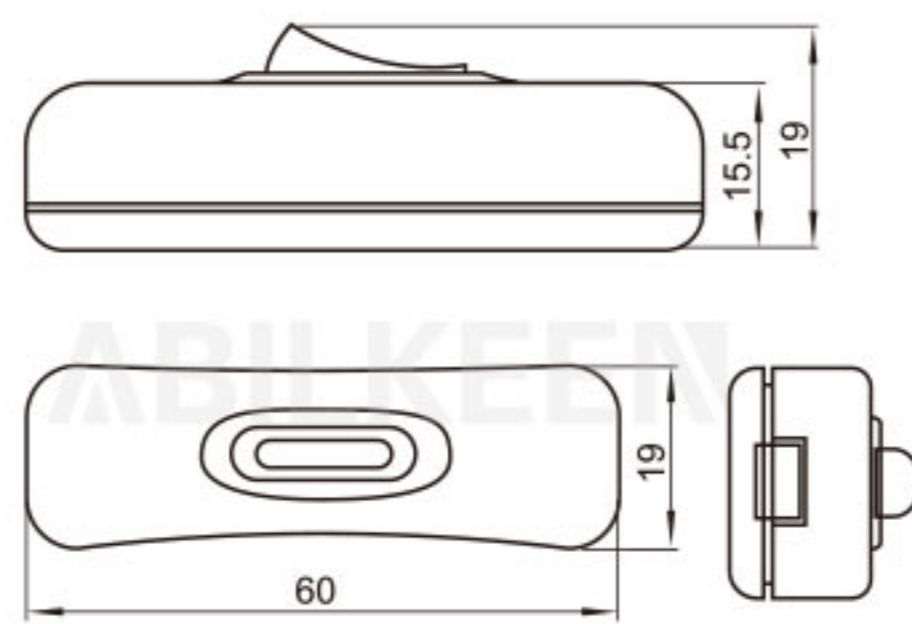
IB-WPC-3



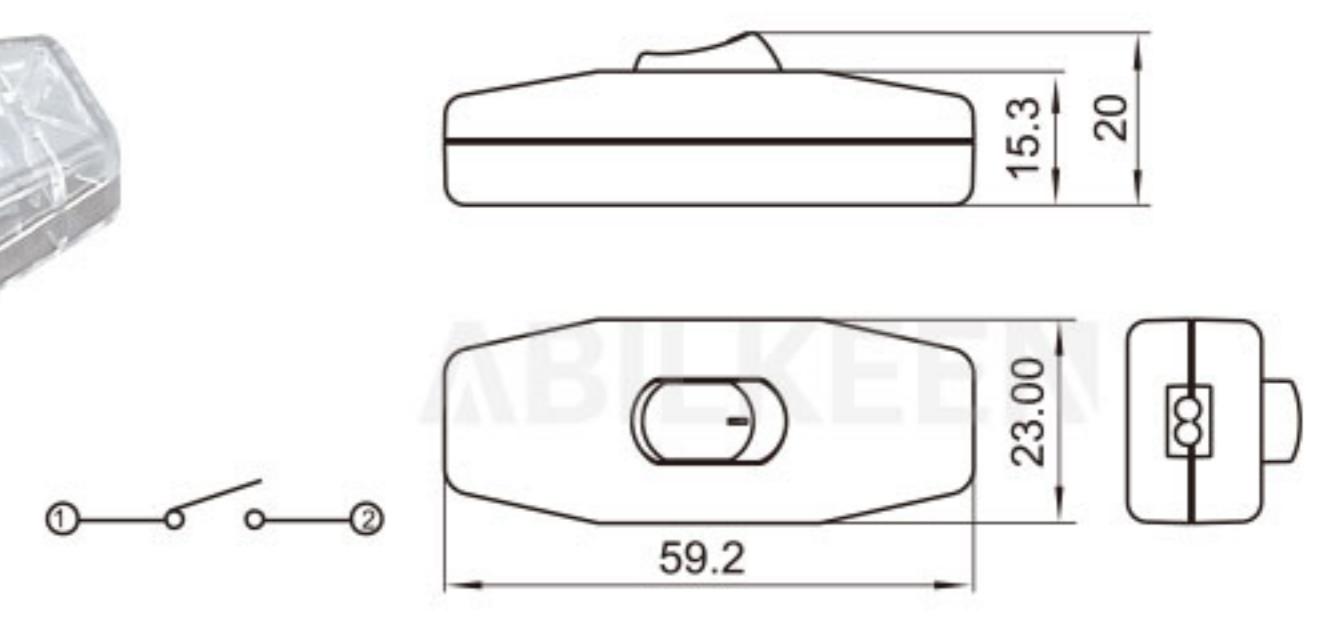
KCD5-303-1 SPST  
KCD5-303-2 DPST



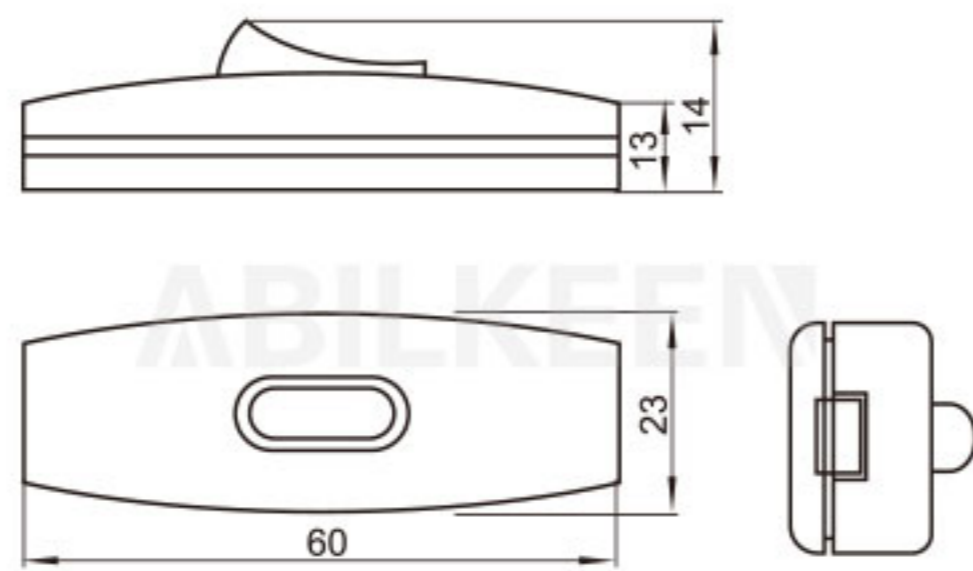
KCD5-308



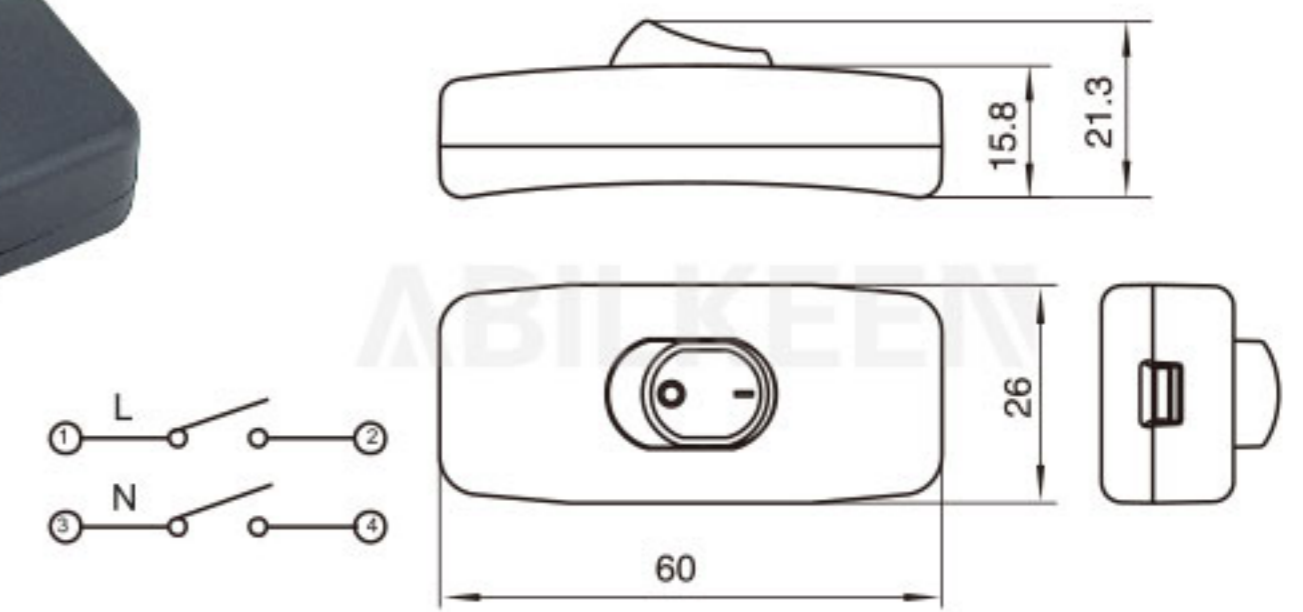
KCD5-304



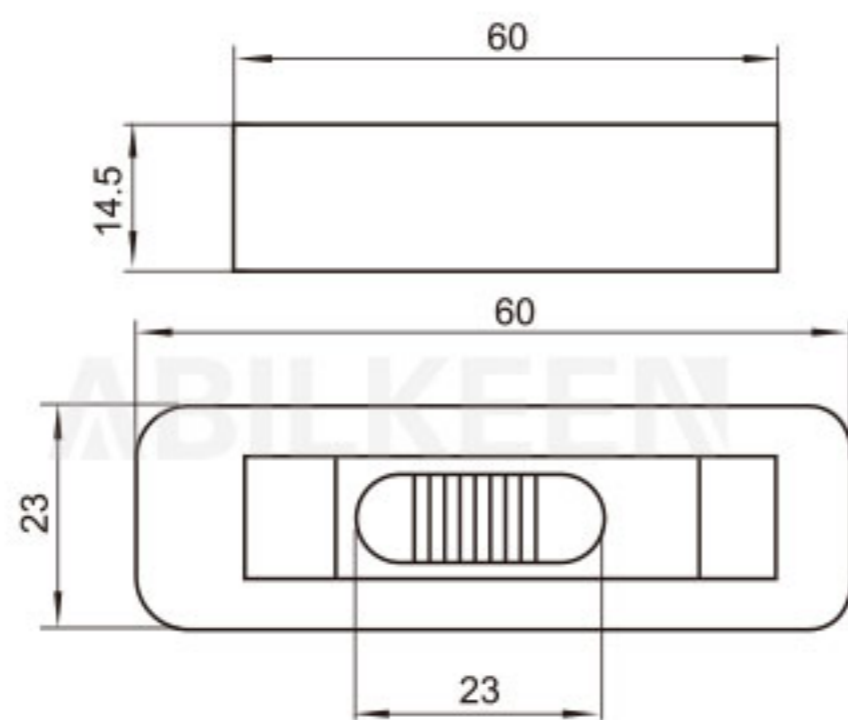
KCD5-203(Japan)



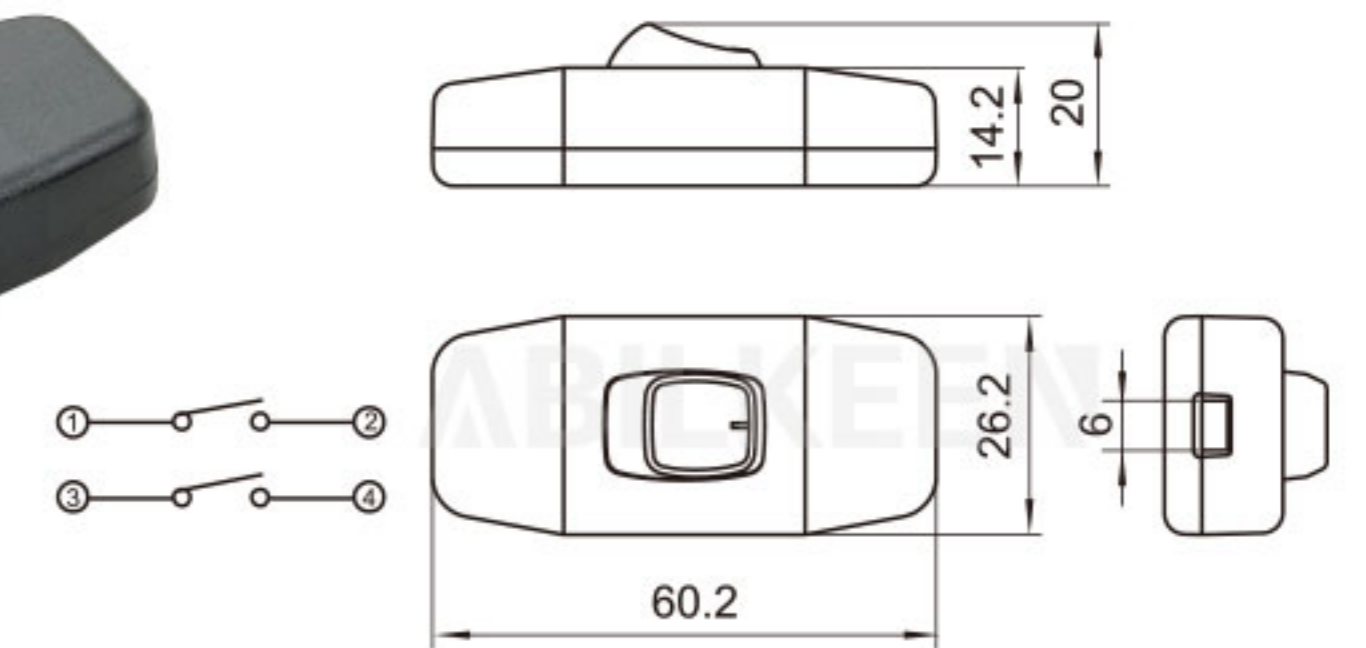
KCD5-305



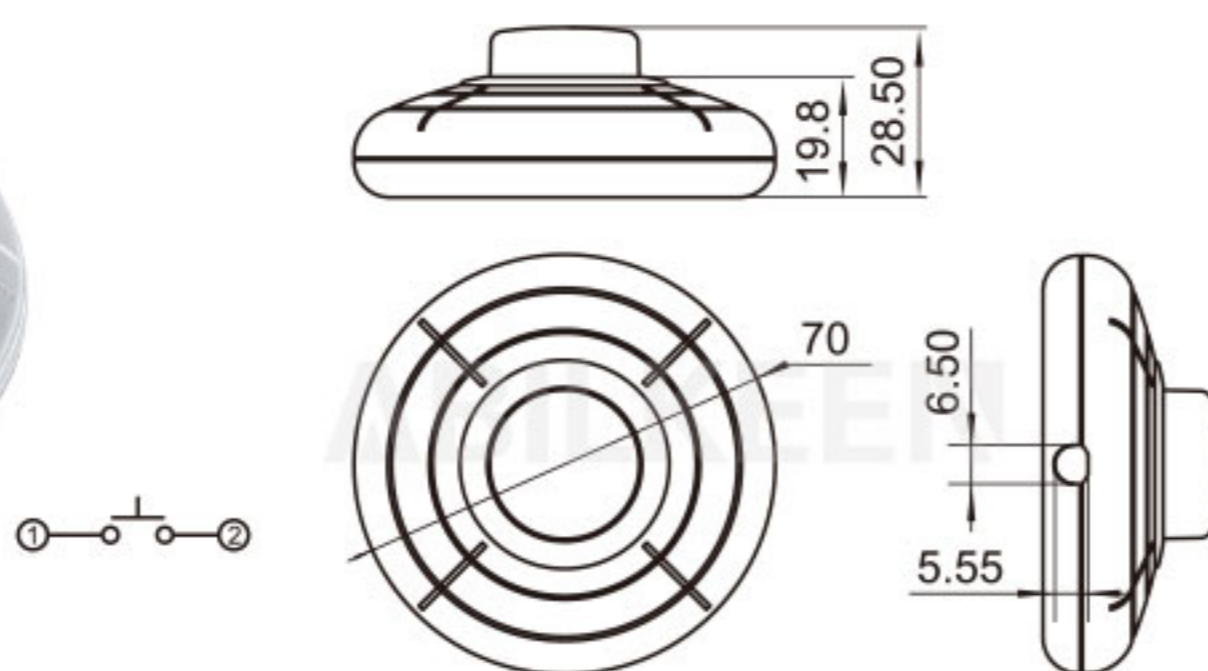
KCD5-207(Euro)



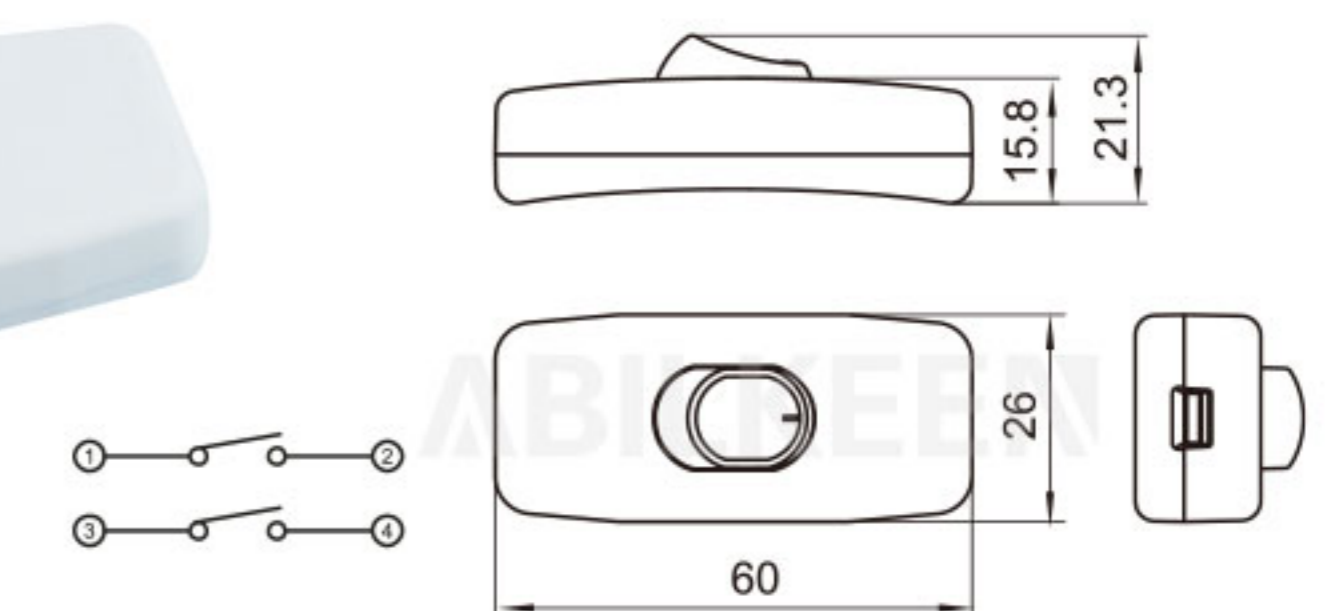
KCD5-306



KCD5-302A/302B(Euro, Australia)



KCD5-307



KCD5-301A/301B(Australia, America)